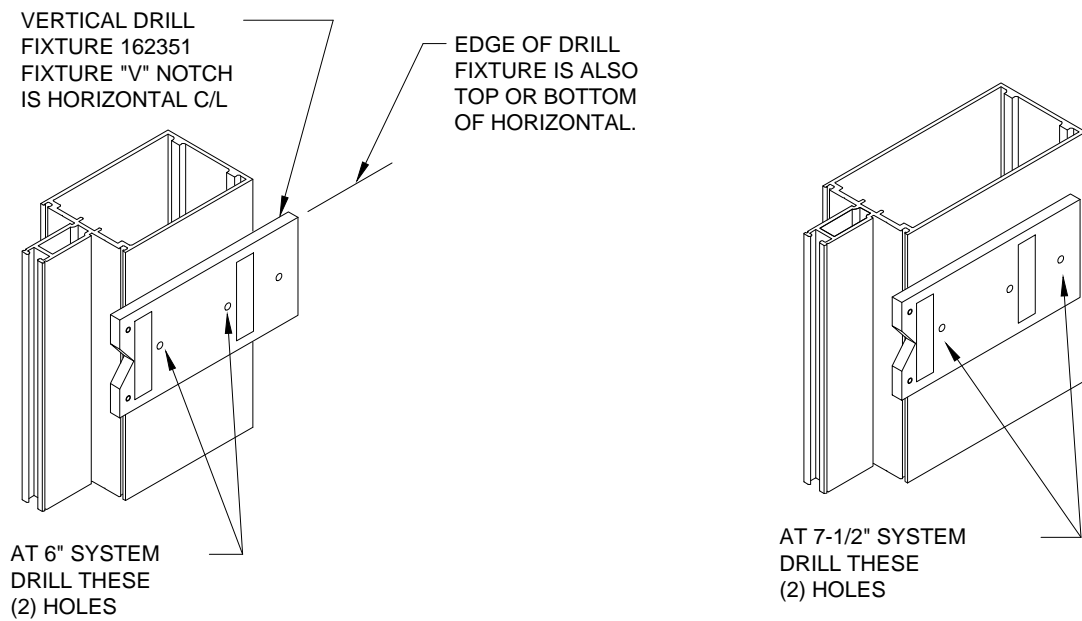
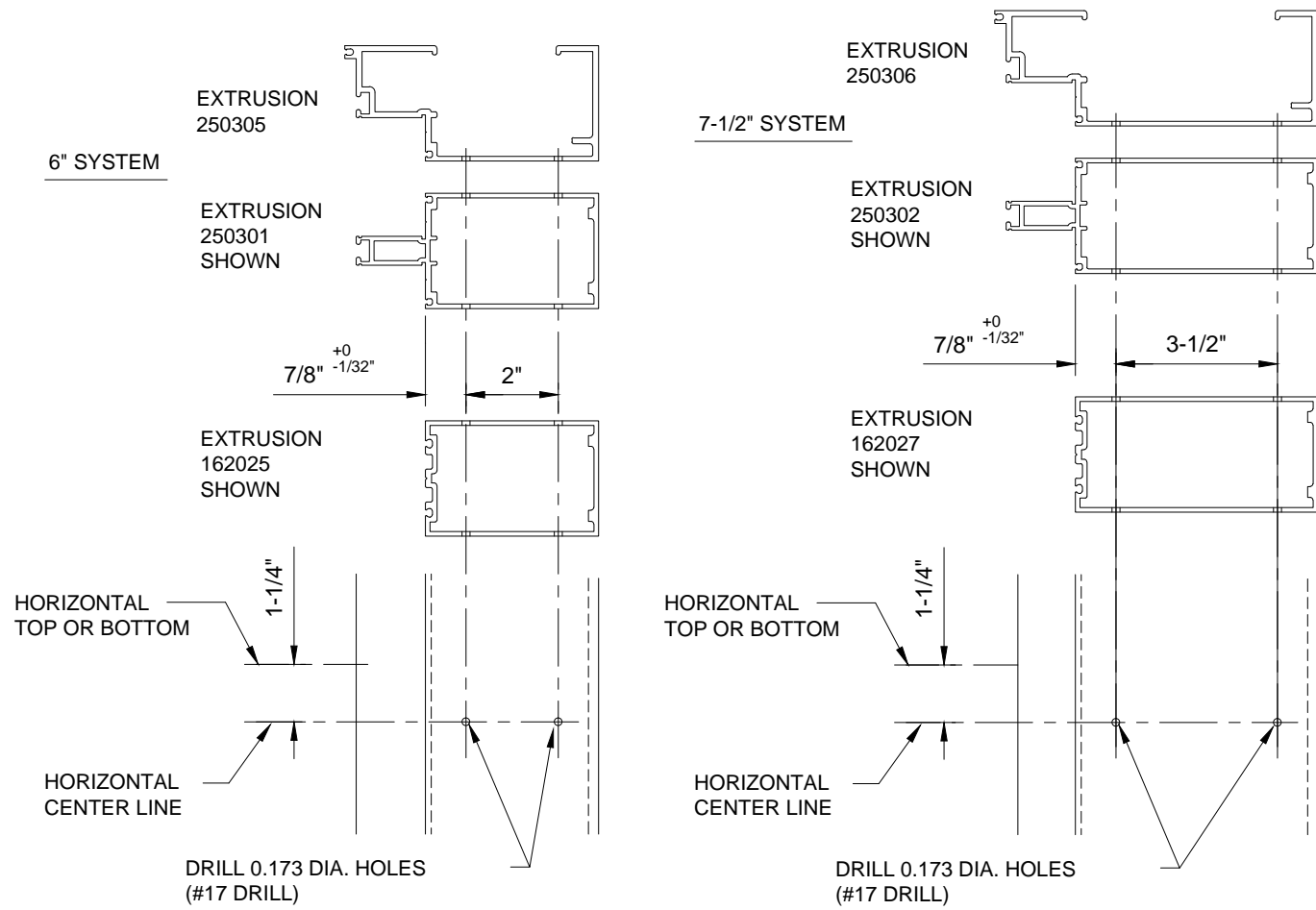


USE THESE INSTRUCTIONS IN CONJUNCTION WITH INSTALLATION INSTRUCTIONS 250972

## VERTICAL MULLION FABRICATION

REFERENCE APPROVED SHOP DRAWINGS FOR VERTICAL LENGTHS AND HORIZONTAL LOCATIONS.



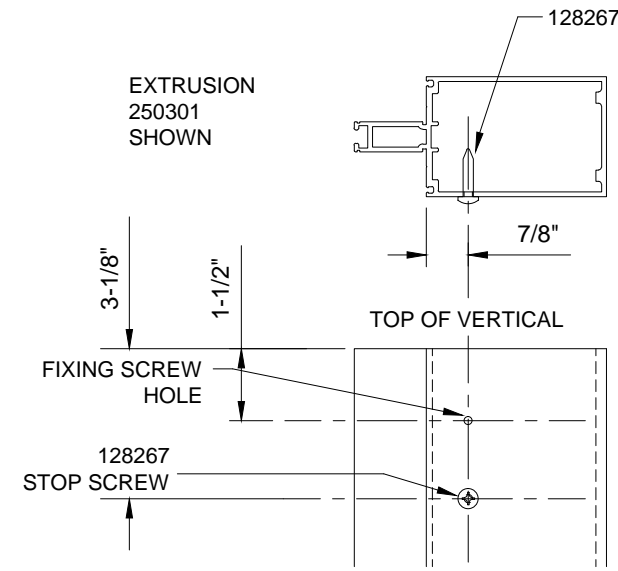
## VERTICAL MULLION FABRICATION

FOR SPLICE SLEEVE FIXING AND STOP SCREWS

DRILL TWO 0.173 DIA HOLES (#17 DRILL) AS SHOWN

THE TOP HOLE WILL BE FOR THE SLEEVE FIXING SCREW

INSTALL STOP SCREW 128267 IN THE BOTTOM HOLE

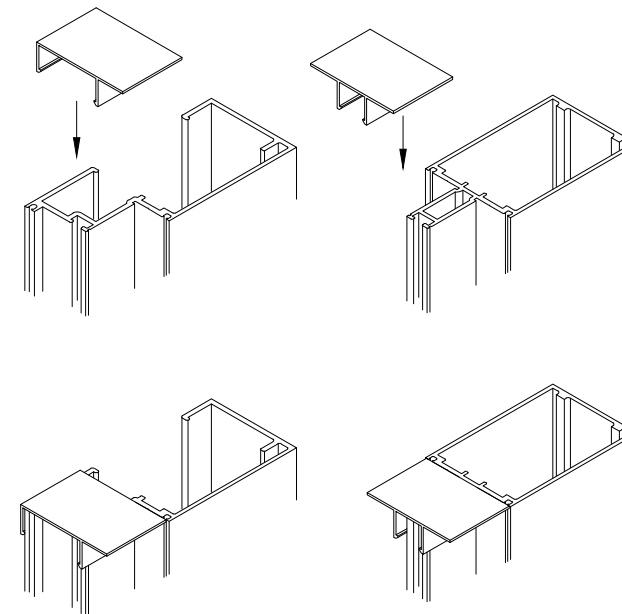


## END CAP APPLICATION

SET END CAPS IN SEALANT TOP AND BOTTOM

JAMB CAPS  
250244 (1")  
250248 (1/4")

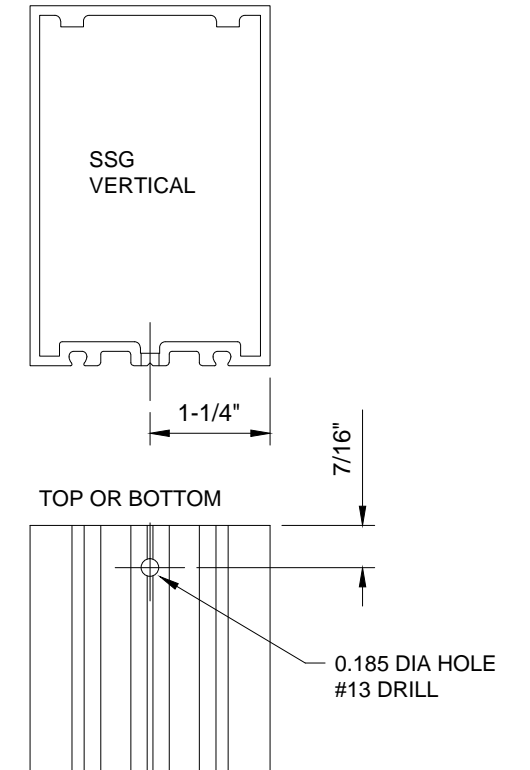
INTERMEDIATE VERTICAL CAPS  
250243 (1")  
250247 (1/4")



CONFIDENTIAL AND PROPRIETARY INFORMATION  
KAWNEER COMPANY INC.

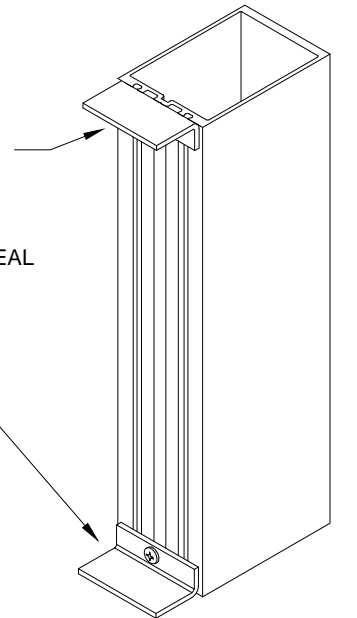
THESE DRAWINGS ARE THE SOLE AND EXCLUSIVE PROPERTY OF KAWNEER AND CONTAIN SENSITIVE, PRIVILEGED OR CONFIDENTIAL INFORMATION WHICH MAY BE USED ONLY FOR ITS BENEFIT. THE DISCLOSURE OF THESE DRAWINGS TO UNAUTHORIZED PERSONS IS STRICTLY PROHIBITED. THIS DOCUMENT AND ALL COPIES MUST BE RETURNED UPON DEMAND.  
© COPYRIGHT KAWNEER COMPANY, INC., 2000

## SSG END CAP APPLICATION



FIELD INSTALLED HEAD AND SILL CAPS FOR CONTINUATION OF PERIMETER SEAL INSTALL WITH 128293 SCREWS #12 X 5/8 PAN HD TYPE AB

CAPS 250245 (1")  
250249 (1/4")



**KAWNEER**  
AN ARCONIC COMPANY

Product Engineering & Development

95435-042  
02/17/17

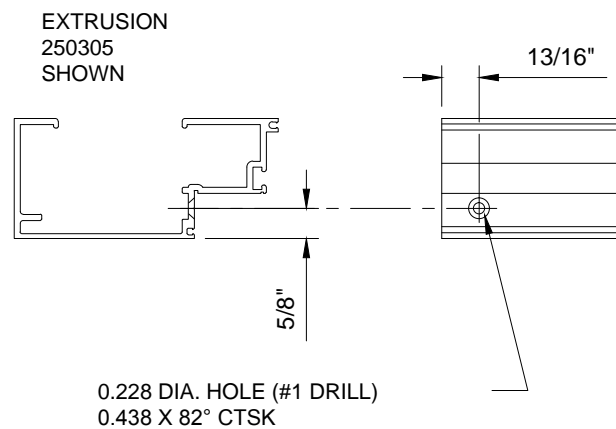
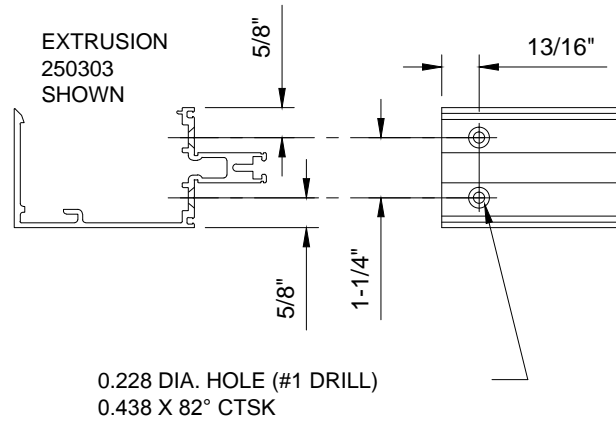
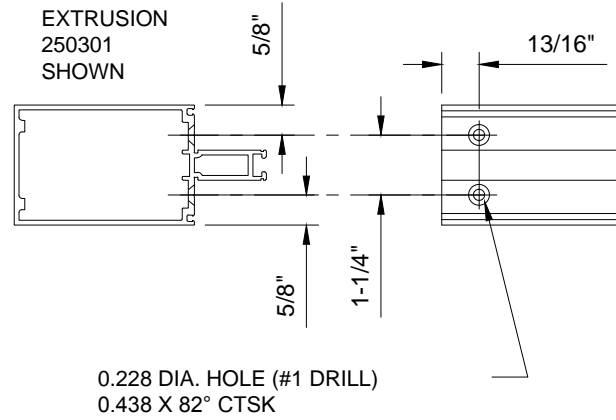
2500 L-R WALL SYSTEM  
STOCK LENGTH  
INSTALLATION  
INSTRUCTIONS

USE THESE INSTRUCTIONS IN CONJUNCTION WITH INSTALLATION INSTRUCTIONS 250972

### HORIZONTAL FABRICATION

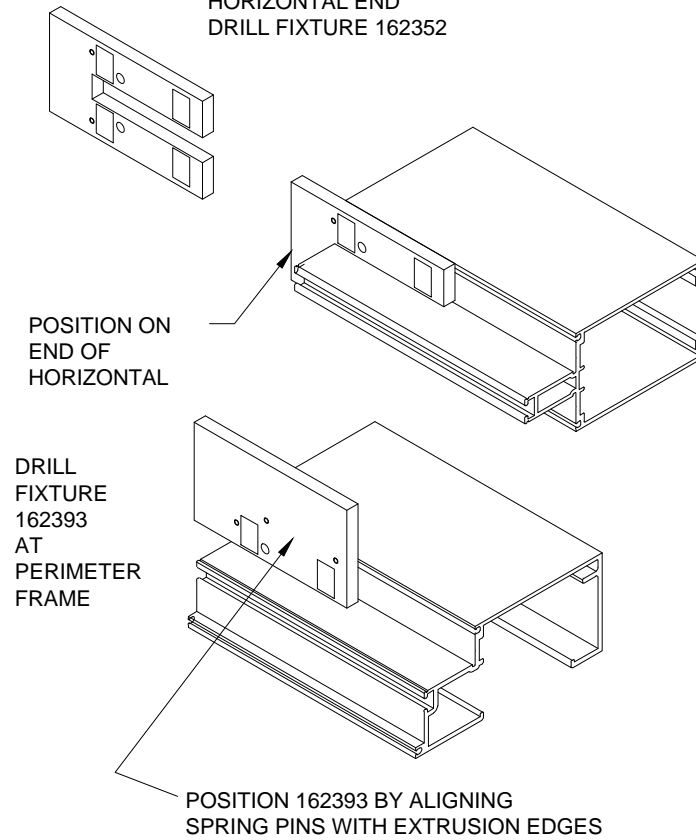
HORIZONTAL AND OPEN BACK FILLER LENGTH EQUALS DAYLITE OPENING MINUS 1/32".

6" AND 7-1/2" SYSTEMS

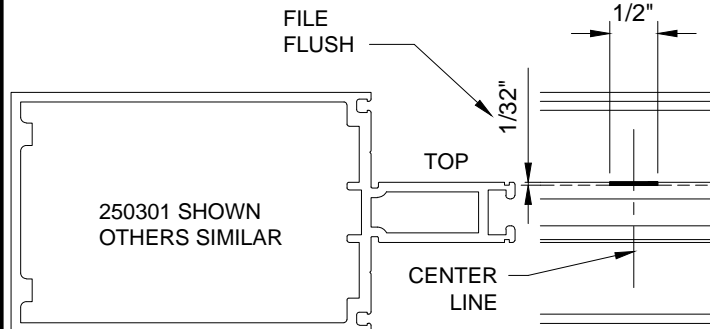


### HORIZONTAL FABRICATION

HORIZONTAL END DRILL FIXTURE 162352



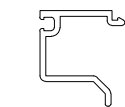
FOR INTERMEDIATE HORIZ. WEEP PREP FILE A 1/2" WIDE GROOVE AT THE HORIZONTAL CENTER LINE AS SHOWN



### ADAPTER FABRICATION

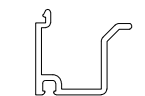
SPANDREL ADAPTERS

ADAPTERS ARE SQUARE CUT



HORIZONTAL ADAPTER LENGTH EQUALS DAYLITE OPENING MINUS 1/16"

EXTRUSION 250308

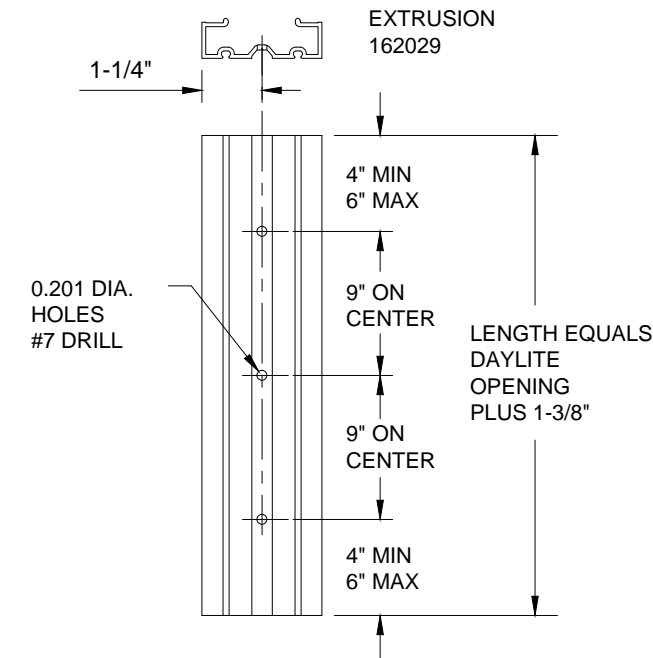


VERTICAL ADAPTER LENGTH EQUALS DAYLITE OPENING PLUS 1-3/8"

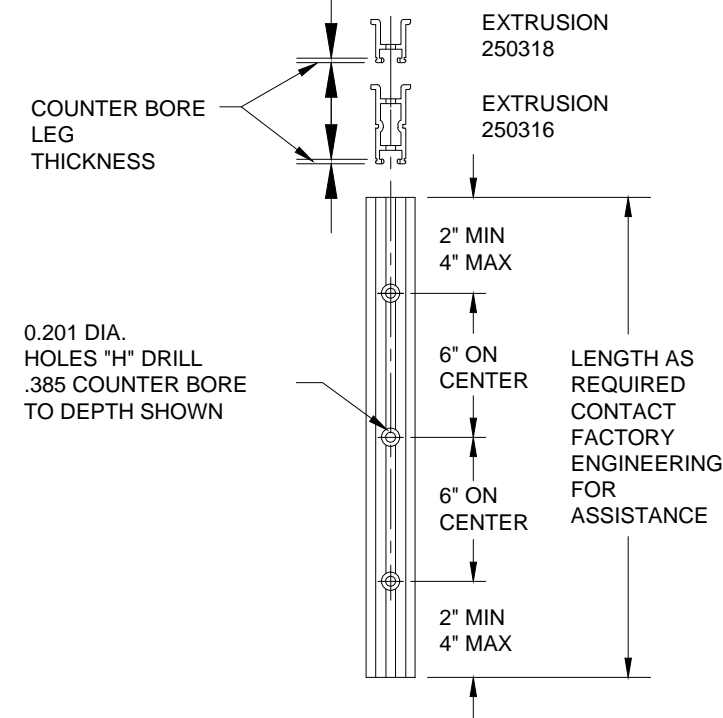
EXTRUSION 250308

### VERTICAL ADAPTER FABRICATION

VERTICAL SPANDREL ADAPTER



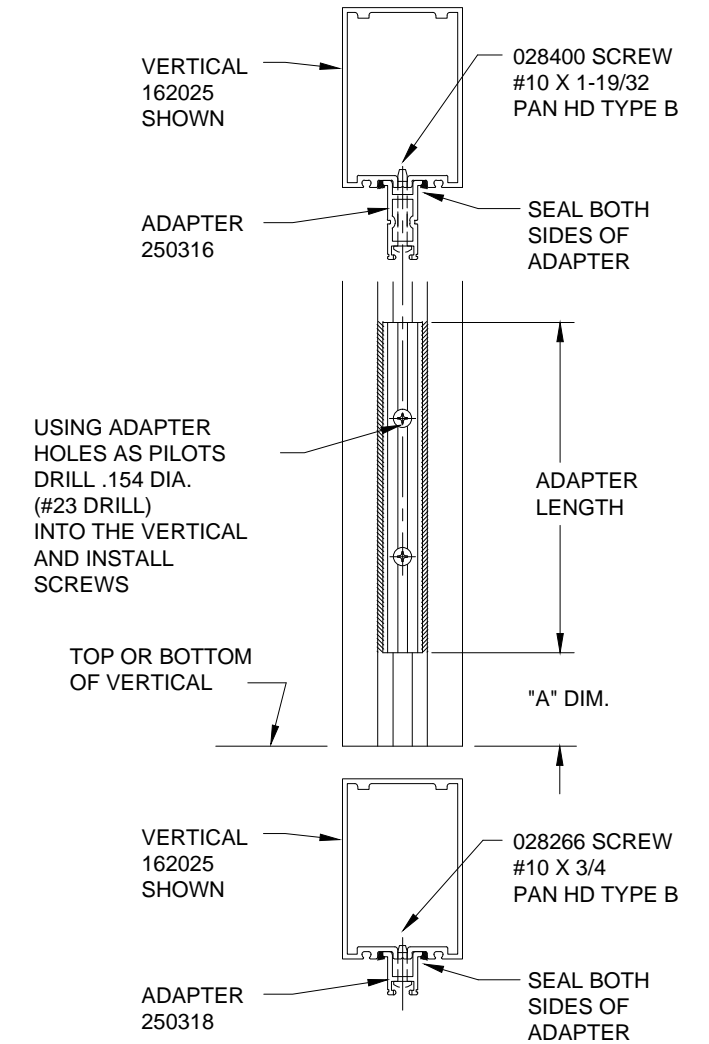
VERTICAL TONGUE ADAPTER



CONFIDENTIAL AND PROPRIETARY INFORMATION KAWNEER COMPANY INC.

THESE DRAWINGS ARE THE SOLE AND EXCLUSIVE PROPERTY OF KAWNEER AND CONTAIN SENSITIVE, PRIVILEGED OR CONFIDENTIAL INFORMATION WHICH MAY BE USED ONLY FOR ITS BENEFIT. THE DISCLOSURE OF THESE DRAWINGS TO UNAUTHORIZED PERSONS IS STRICTLY PROHIBITED. THIS DOCUMENT AND ALL COPIES MUST BE RETURNED UPON DEMAND. © COPYRIGHT KAWNEER COMPANY, INC., 2000

### TONGUE ADAPTER APPLICATION



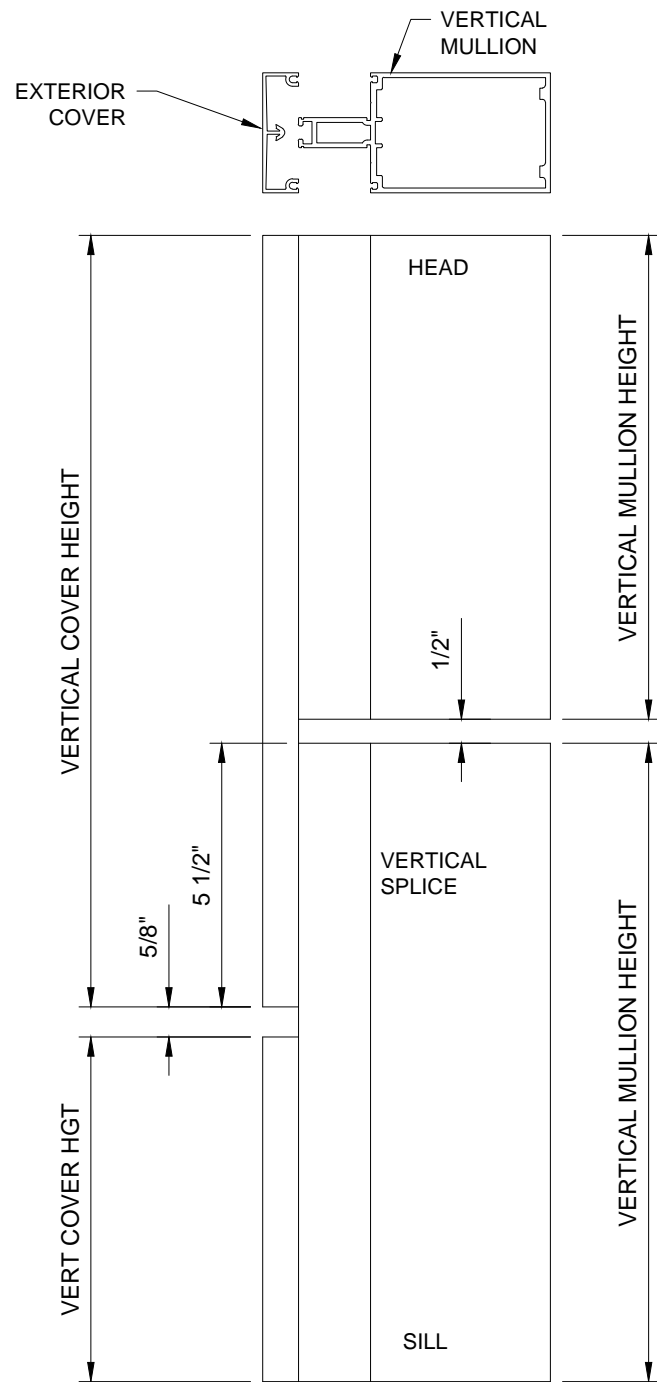
2500 L-R WALL SYSTEM STOCK LENGTH INSTALLATION INSTRUCTIONS

Product Engineering & Development

95435-042  
02/17/17

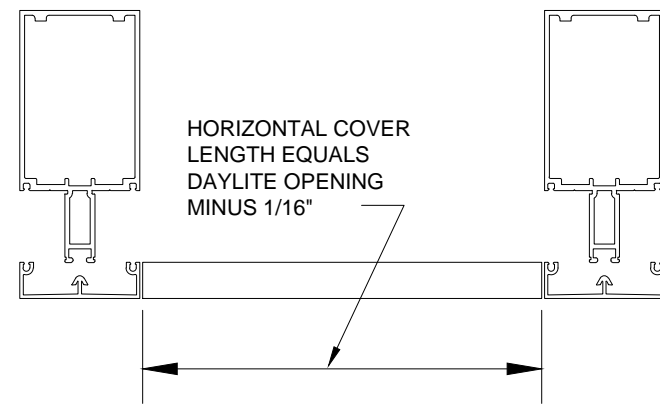
USE THESE INSTRUCTIONS IN CONJUNCTION WITH INSTALLATION INSTRUCTIONS 250972

### EXTERIOR COVER FABRICATION

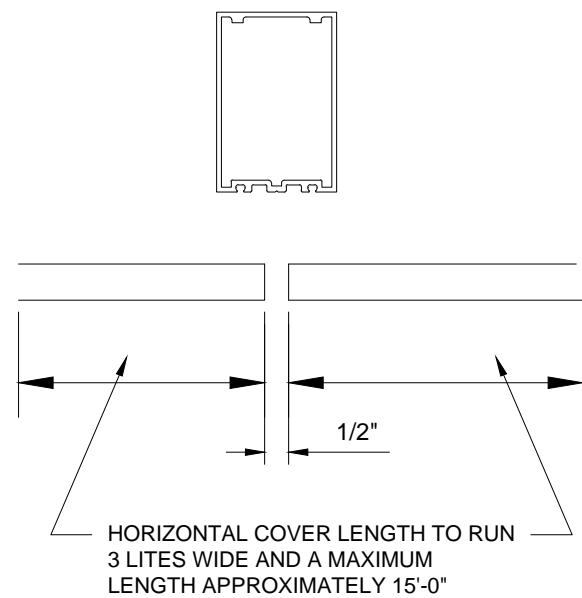


### EXTERIOR COVER FABRICATION

HORIZONTAL COVER LENGTH AT CAPTURED VERTICALS



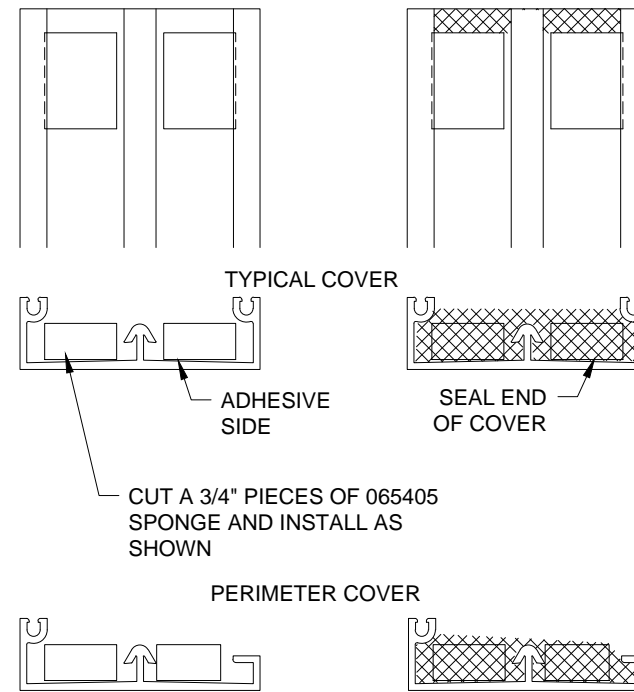
HORIZONTAL COVER LENGTH AT SSG VERTICALS



### EXTERIOR COVER FABRICATION

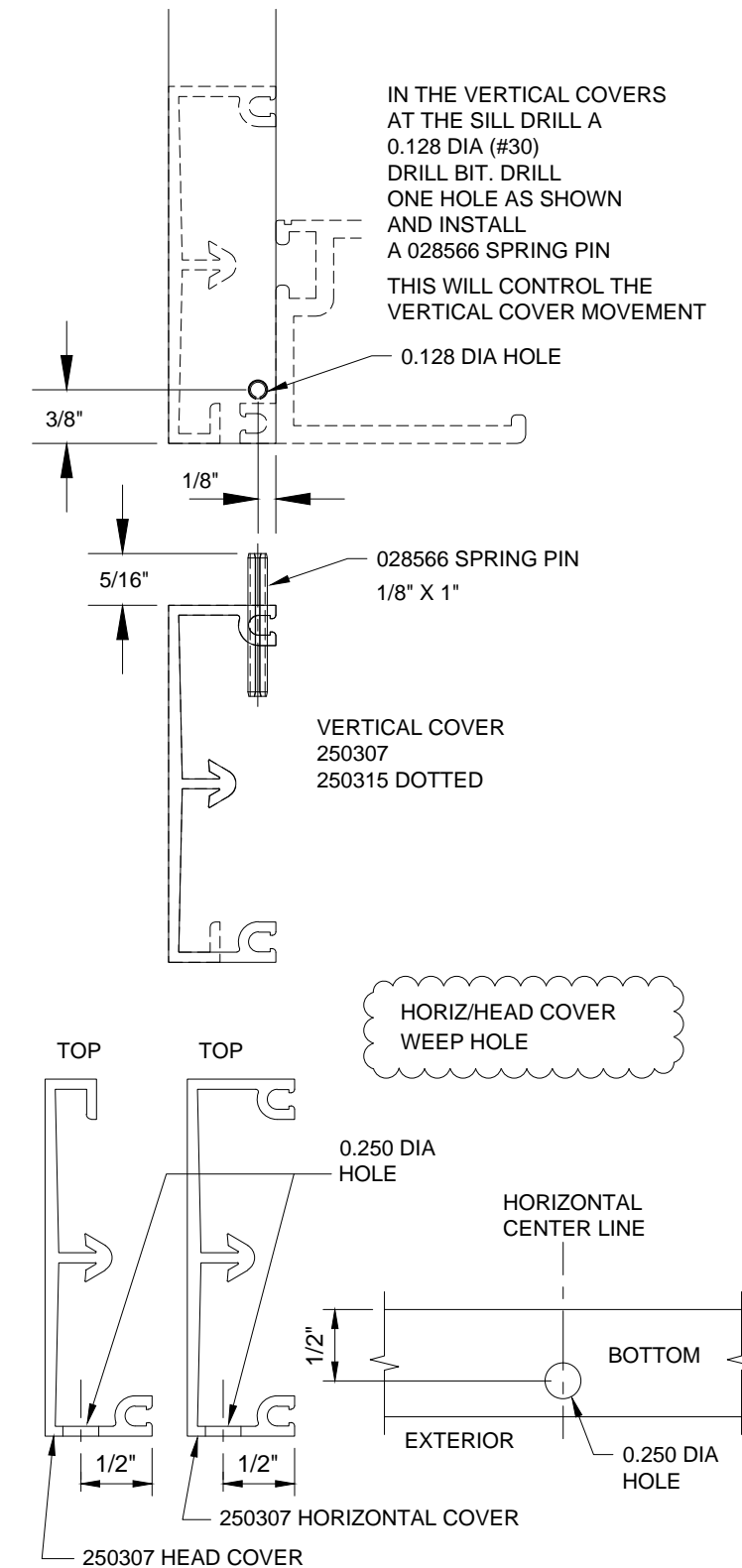
SEAL COVER ENDS AT HEAD DETAILS AND SPLICE JOINTS.

DO NOT SEAL AT SILL DETAILS



SEAL COVER ENDS THE SAME AS ABOVE AT HORIZONTAL COVER SPLICE JOINTS WHERE USED WITH SSG VERTICALS

### EXTERIOR COVER FABRICATION



**KAWNEER**  
AN ARCONIC COMPANY  
Product Engineering & Development

2500 L-R WALL SYSTEM  
STOCK LENGTH  
INSTALLATION  
INSTRUCTIONS