

# 1620UT/1620UT SSG CURTAIN WALL SYSTEM

Estimating / Take-Off And Ordering Guide

October 2021

179900EN



This page is intentionally left blank.

## Table of Contents

Installation Instructions .....	5
Material Take-Off Guides .....	6
Parts Identification .....	6
Material Take-off (Captured Vertical) .....	13
Material Take-off (SSG Vertical) .....	16
Detail Views .....	19
Head Horizontal Details .....	19
Intermediate Horizontal Details .....	21
Sill Horizontal Details .....	25
Vertical Jamb Details .....	27
Captured Intermediate Vertical Details .....	35
SSG Intermediate Vertical Details .....	39
Fiberglass Pressure Plate Intermediate Details .....	47
F & T Anchors .....	50
90° Outside Captured Single Mullion Corner .....	51
90° Outside SSG Single Mullion Corners .....	53
90° Double Mullion Corners .....	55
Captured Entrance Details .....	59
SSG Entrance Details .....	63
GLASSvent™ UT Details .....	67
Dead Load Details .....	73
Wind Load Details .....	74
Notes and Disclaimers .....	75

---

This page is intentionally left blank.

## Installation Instructions

Additional information needed for proper estimating is contained in other documents. Check for related documents on KawneerDirect. Obtain, and refer to, the following instructions:

<b>PART NUMBER: DESCRIPTION</b>
179960: 1620UT Stock Length Installation Instructions
179961: 1620UT SSG Stock Length Installation Instructions
179970: 1620UT Installation Instructions
179971: 1620UT SSG Installation Instructions
179974: 1620UT Door Framing Installation Instructions
179976: 1620UT SSG Door Framing Installation Instructions
179977: 1620UT Thermal Door Framing Installation Instructions
179978: 1620UT Thermal Door Framing Adapter Installation Instructions

## Material Take-Off Guides

This section provides material take-off guides for these configurations:

- Captured Vertical
- SSG Vertical











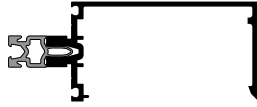
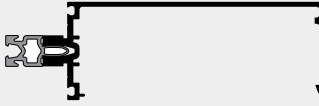
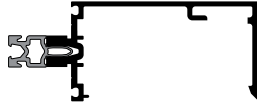

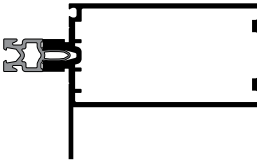
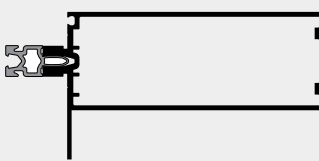
### NOTICE

For other applications and accessories, reference shop drawings, installation instructions and Kawneer's website at [www.kawneer.com](http://www.kawneer.com).

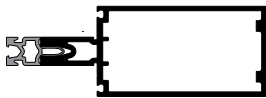


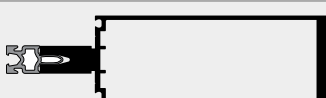
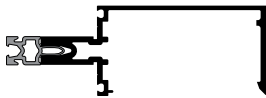
## Parts Identification



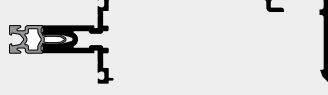
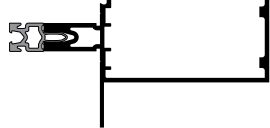


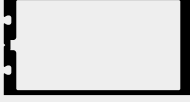


### 1" Infill Framing System

FRAMING MEMBER #	PROFILE	DESCRIPTION
179270		6" Deep System Lightweight Mullion
179271		6" Deep System Heavyweight Mullion
179272		7-1/2" Deep System Lightweight Mullion
179273		7-1/2" Deep System Heavyweight Mullion
178023		6" Deep System Lightweight SSG Mullion
178024		6" Deep System Heavyweight SSG Mullion
178025		7-1/2" Deep System Lightweight SSG Mullion
178026		7-1/2" Deep System Heavyweight SSG Mullion


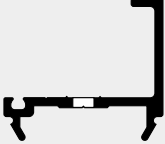
FRAMING MEMBER #	PROFILE	DESCRIPTION
179274		6" Deep System Open Back Head, Sill and Horizontal
179275		7-1/2" Deep System Open Back Head, Sill and Horizontal
179276		6" Deep System Open Back Horizontal
179277		7-1/2" Deep System Open Back Horizontal
179278		6" Deep System Expansion Horizontal
179279		7-1/2" Deep System Expansion Horizontal

### 1-3/4" Infill Framing System

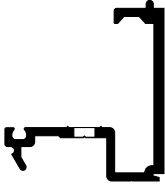
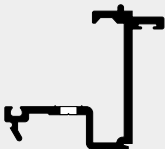

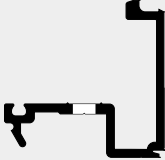
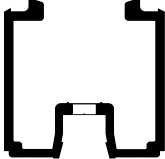
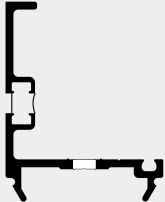
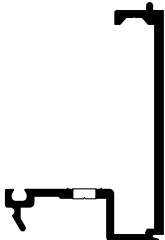
FRAMING MEMBER #	PROFILE	DESCRIPTION
179201		6-3/4" Deep System Lightweight Mullion
179202		6-3/4" Deep System Heavyweight Mullion
179203		8-1/4" Deep System Lightweight Mullion
179204		8-1/4" Deep System Heavyweight Mullion
179208		6-3/4" Deep System Open Back Head, Sill and Horizontal

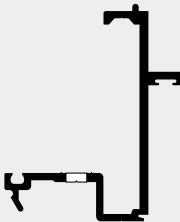
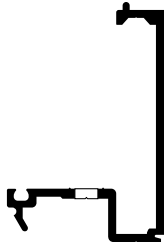
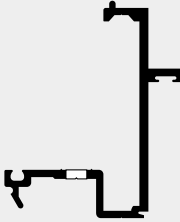
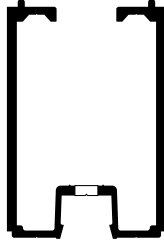
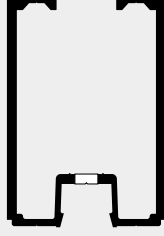
FRAMING MEMBER #	PROFILE	DESCRIPTION
179209		8-1/4" Deep System Open Back Head, Sill and Horizontal
179212		6-3/4" Deep System Open Back Horizontal
179213		8-1/4" Deep System Open Back Horizontal
179248		6-3/4" Deep System Expansion Horizontal
179249		8-1/4" Deep System Expansion Horizontal
178023		6-3/4" Deep System Lightweight SSG Mullion
178024		6-3/4" Deep System Heavyweight SSG Mullion
178025		8-1/4" Deep System Lightweight SSG Mullion
178026		8-1/4" Deep System Heavyweight SSG Mullion

#### Pressure Plates



PART #	PROFILE	DESCRIPTION
178300		Standard dry glazed pressure plate. Pre-punched for pressure plate fasteners. (For 1" and 1-3/4" infill framing system).
178305		Standard dry glazed perimeter pressure plate. Pre-punched for pressure plate fasteners. (For 1" infill framing system).







PART #	PROFILE	DESCRIPTION
178312		<p>Flush double acting door adapter pressure plate. For use with 178032 cover. See Entrance Details in this Take-Off Guide. Pre-punched for pressure plate fasteners. (For 1" infill framing system).</p>
178335		<p>Flush single acting door adapter pressure plate. For use with 178032 cover. See Entrance Details in this Take-Off Guide. Pre-punched for pressure plate fasteners. (For 1" infill framing system).</p>
178339		<p>Optional dry glazed fiberglass pressure plate. Counterbored for pressure plate fasteners. (For 1" infill framing system).</p>
178353		<p>Flush thermal door adapter pressure plate. Pre-punched for pressure plate fasteners. For use with 178032 cover. See Entrance Details in this Take-Off Guide. (For 1" infill framing system).</p>
178354		<p>Pressure plate for pair of thermal doors. Pre-punched for pressure plate fasteners. (For 1" infill framing system).</p>
179300		<p>Standard dry glazed perimeter pressure plate. Pre-punched for pressure plate fasteners. (For 1-3/4" infill framing system).</p>
179308		<p>Door adapter pressure plate. Pre-punched for pressure plate fasteners. (For 1-3/4" infill framing system).</p>




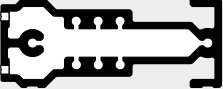
PART #	PROFILE	DESCRIPTION
179309		Single acting door adapter pressure plate with stop. Pre-punched for pressure plate fasteners. (For 1-3/4" infill framing system).
179310		SSG door adapter pressure plate. Pre-punched for pressure plate fasteners. (For 1-3/4" infill framing system).
179311		SSG single acting door adapter pressure plate with stop. Pre-punched for pressure plate fasteners. (For 1-3/4" infill framing system).
179312		Door adapter pressure plate for pair of doors. Pre-punched for pressure plate fasteners. (For 1-3/4" infill framing system).
179313		SSG door adapter pressure plate for pair of doors. Pre-punched for pressure plate fasteners. (For 1-3/4" infill framing system).

#### Glazing Adapters

EXTRUSION #	PROFILE	DESCRIPTION
169022		Vertical SSG Tongue Adapter, (For 1" infill framing system).
178018		Infill Adapter. (1/4" infill for 1" infill framing members) (1" infill for 1-3/4" infill framing system).

EXTRUSION #	PROFILE	DESCRIPTION
178027		Infill Adapter (1/4" infill - Full SSG for 1" infill framing system) (1" Infill - Full SSG for 1-3/4" infill framing system).
178028		Infill Adapter (1/4" Infill, Half SSG for 1" infill framing system) (1" Infill, Half SSG for 1-3/4" infill framing system).
179005		Brake metal Infill Adapter, For 90° double mullion corners. (For 1-3/4" infill framing system).
179220		Vertical SSG Tongue Adapter assembly (For 1-3/4" infill framing system).



### Shear Blocks

PART #	PROFILE	DESCRIPTION
178301		Shear Block at head and sill, 6" and 6-3/4" Deep System.
178302		Shear Block at head and sill, 7-1/2" and 8-1/4" Deep System.
178303		Shear Block at intermediate horizontal, 6" and 6-3/4" Deep System.
178304		Shear Block at intermediate horizontal, 7-1/2" and 8-1/4" Deep System.


### Shear Block Fasteners (2 per Shear Block)

SHEAR BLOCK FASTENER AT HORIZONTAL FRAMING	SHEAR BLOCK FASTENER AT VERTICAL FRAMING
128930 (#10 x 3/4" CRFCHTF AB)	128570 (#10 x 1-7/8" Type I CRPHTF B)

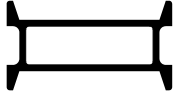

### Snap-on Covers

EXTRUSION #	PROFILE	DESCRIPTION
178006		3/4" Standard Cover
178032		Flush Door Adapter Cover



### Cover Sleeve

PART #	PROFILE	DESCRIPTION
178322		3/4" Standard Cover Sleeve



**Splice Sleeves**

PART #	PROFILE	DESCRIPTION
178309		6" and 6-3/4" Deep System, Mullion Sleeve
178310		7-1/2" and 8-1/4" Deep System, Mullion Sleeve

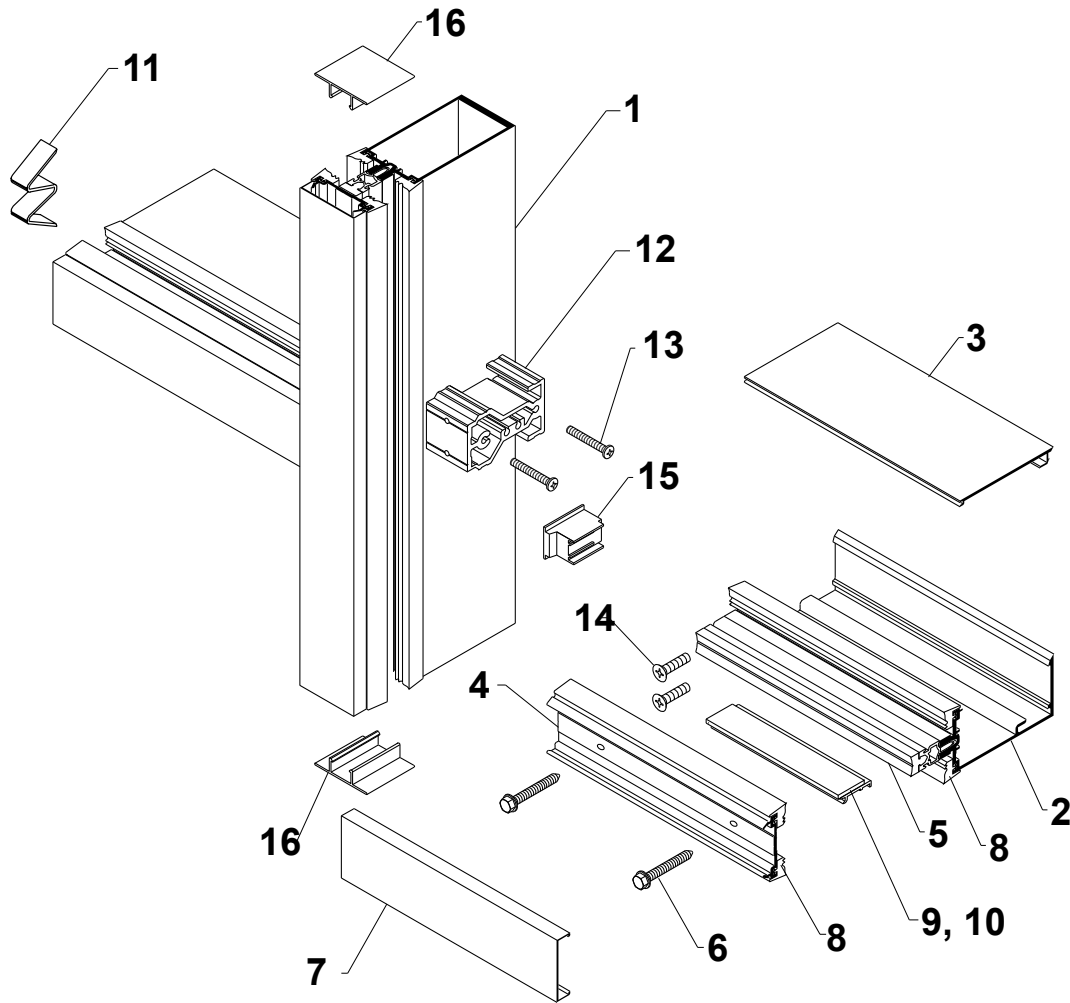
**Open Back Fillers**

EXTRUSION #	PROFILE	DESCRIPTION
162021		Open Back Filler, 6" and 6-3/4" Deep System
162020		Open Back Filler 7-1/2" and 8-1/4" Deep System

**Perimeter**

EXTRUSION #	PROFILE	DESCRIPTION
179303		Thermal Pocket Filler (For 1" infill framing system).
179305		Thermal Pocket Filler (For 1-3/4" infill framing system).

### Material Take-off (Captured Vertical)



REF#	DESCRIPTION	PART NUMBER	TAKE-OFF GUIDE
1	Vertical (24'-0" Stock Length)	Make Proper Selection	Stock Lengths Required
2	Horizontal (24'-0" Stock Length)	Make Proper Selection	Stock Lengths Required
3	Open Back Filler (24'-0" Stock Length)	Make Proper Selection	Stock Lengths Required
4	Glazing Pressure Plate (24'-0" Stock Length)	Make Proper Selection	Stock Lengths Required
5	Thermal Separator (250' Roll)	162310	Vertical / Horizontal Footage
6	Pressure Plate Fastener 1/4"-14 x 1-3/4" Plain Hex Washer Head Custom Self Drilling Screw	128960	1.8 x Thermal Separator
6	Fiberglass Pressure Plate Fastener 1/4"-14 x 2" Plain Hex Washer Head Custom Self Drilling Screw	128976	1.8 x Thermal Separator
7	Cover (24'-0" Stock Length)	178006	Stock Lengths Required
8	Interior / Exterior Weathering	027850	4 x Vertical / Horizontal Footage

REF#	DESCRIPTION	PART NUMBER	TAKE-OFF GUIDE
9	Setting Block - 1/4" Infill (1" and 1-3/4" infill framing system)	027906	2 per DLO
9	Setting Block - 1" Infill (1" infill framing system)	127105	2 per DLO
9	Setting Block - 1" Infill (1-3/4" infill framing system)	127105	2 per DLO
9	Setting Block - 1-3/4" Infill (1-3/4" infill framing system)	127464	2 per DLO
10	Setting Block Chair - 1" Infill (1" infill framing system)	171306	2 per DLO
10	Setting Block Chair - 1" Infill (1-3/4" infill framing system)	171305	2 per DLO
10	Setting Block Chair - 1-3/4" Infill (1-3/4" infill framing system)	171305	2 per DLO
11	Side Block - 1/4" Infill (1" infill framing system)	480520	2 per DLO
11	Side Block - 1" Infill (1" infill framing system)	123391	2 per DLO
11	Side Block - 1" Infill (1-3/4" infill framing system)	123391	2 per DLO
11	Side Block - 1-3/4" Infill (1-3/4" infill framing system)	123392	2 per DLO
12	Shear Block	See Shear Block Parts ID	2 Per Horizontal
13	Shear Block to Vertical Fastener	128570	2 Per Shear Block
14	Shear Block to Horizontal Fastener	128930	2 Per Shear Block
15	Joint Plug (1" infill framing system) Typical	178324	2 Per Horizontal
15	Joint Plug (1-3/4" infill framing system) Typical	179301	2 Per Horizontal
16	Vertical End Cap (1" infill framing system)	179304	2 Per Vertical
16	Vertical End Cap (1-3/4" infill framing system)	179306	2 Per Vertical
18	Thermal Pocket Filler (1" infill framing system)	179303	Stock Lengths Required
18	Thermal Pocket Filler (1-3/4" infill framing system)	179305	Stock Lengths Required
19	Gasket Fixed 1/4"	027857	Elevation Perimeter Footage
20	Infill Adapter	178018	Stock Lengths Required
26	6" Mullion - 90° Outside Corner	162118	Stock Lengths Required
26	7-1/2" Mullion - 90° Outside Corner	162258	Stock Lengths Required
27	1" Tongue Adapter - 90° Outside Corner (1" infill framing system)	171223	Stock Lengths Required
28	1/4"x 1-3/4" Type AB Hex Head Thread Forming Screw (Used with 171223 Tongue Adapter)	415430	1.5 x Tongue Adapter footage

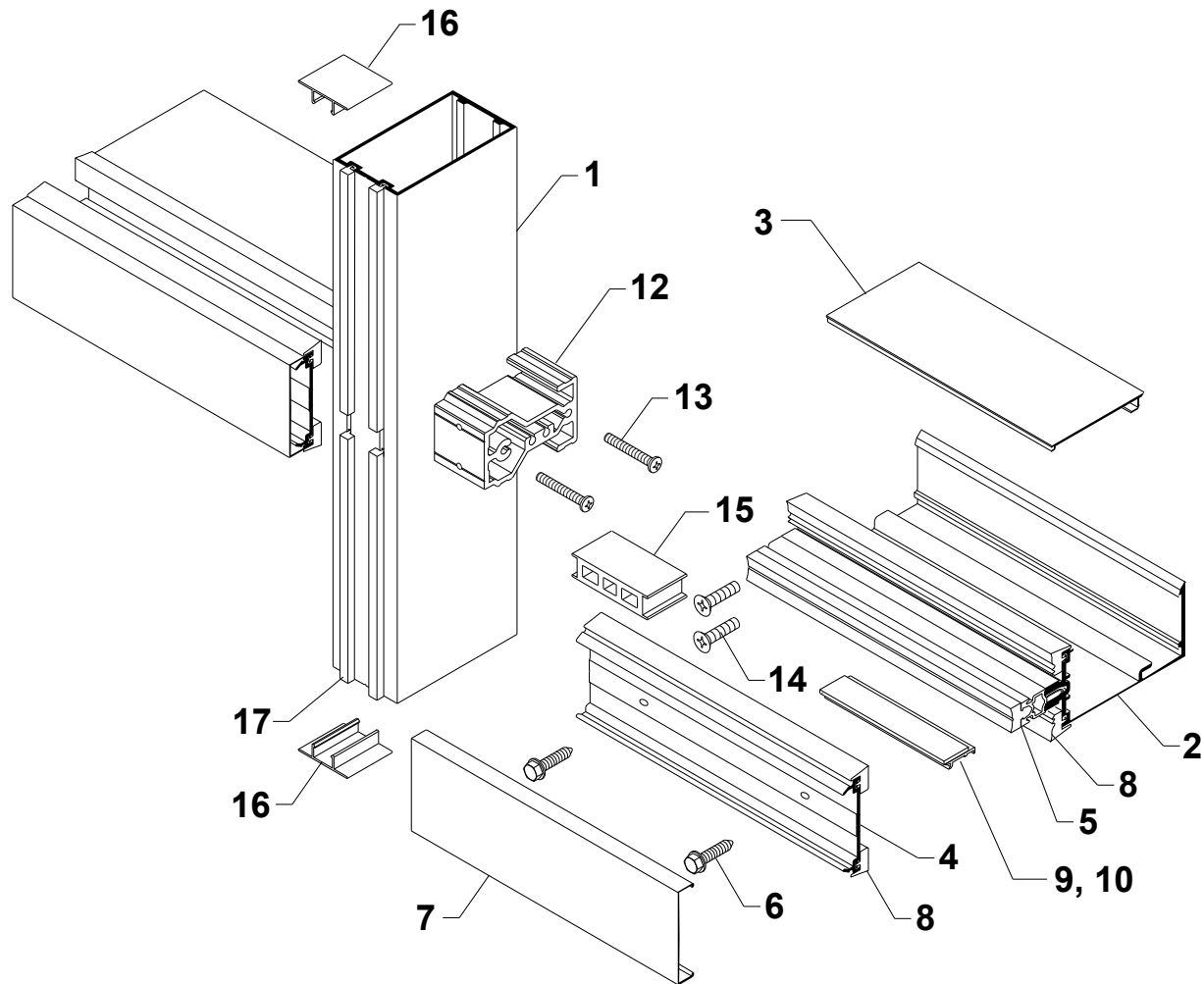
REF#	DESCRIPTION	PART NUMBER	TAKE-OFF GUIDE
29	Glazing Pressure Plate - 90° Outside Corner (24'-0" Stock Length)	162336	Stock Lengths Required
30	Exterior Cover - 90° Outside Corner (24'-0" Stock Length)	162121	Stock Lengths Required
31	Interior Cover - 90° Outside Corner (24'-0" Stock Length)	162255	Stock Lengths Required
32	Infill Adapter	162019	Stock Lengths Required
33	Corner Shear Block	178343	2 Per Horizontal
34	Glazing Pressure Plate - 90° Outside Corner (24'-0" Stock Length)	171013	Stock Lengths Required
35	Exterior Cover - 90° Outside Corner (24'-0" Stock Length)	171014	Stock Lengths Required
36	Tongue Adapter - 90° Outside Corner (1-3/4" infill framing system)	171219	Stock Lengths Required
37	Pressure Plate Fastener 1/4" x 7/8" Hex Head Thread Forming Screw AB	415429	1.8 x Thermal Separator
42	Gasket Fixed 3/8" (Used with 178018 Infill Adapter at 90° Double Mullion Corner)	027852	2 x Dual Corner Mullion footage
43	1" x 1" x 1/8" Aluminum Angle	027151	Stock Lengths Required
44	#10 x 7/16" Type I Cross Recessed Pan Head Thread forming Screw (Used with 027151 Aluminum Angle at 90° Double Mullion Corner)	128407	2 x Interior Brake footage
45	Foam Tape	130608	2 x Interior Brake footage
46	1/4" Panel Adapter	179005	Stock Lengths Required
47	Thermal Door Adapter	178353	Stock Lengths Required
48	Door Adapter Cover	178032	Stock Lengths Required
49	Thermal Separator	178496	Vertical / Horizontal Footage
50	#8 x 1-1/4" Type I Cross Recessed Pan Head Thread Forming Screw AB (Used with 178496 Thermal Separator on Entrance Framing)	128200	Please consult Kawneer Application Engineering for required spacing
51	Weathering for Thermal Door	027413	Door perimeter footage
52	Door Stop Assembly	069177	Stock Lengths Required Requires screw 028260 (35 each per 069177 stock length)
53	Door Adapter	534108	Stock Lengths Required
54	Glazing Pressure Plate (Used with 1-3/4" infill Entrance Framing)	179300	Stock Lengths Required



## NOTICE

For other applications and accessories, reference shop drawings, installation instructions and Kawneer's website at [www.kawneer.com](http://www.kawneer.com).

## Material Take-off (SSG Vertical)



REF#	DESCRIPTION	PART NUMBER	TAKE-OFF GUIDE
1	Vertical (24'-0" Stock Length)	Make Proper Selection	Stock Lengths Required
2	Horizontal (24'-0" Stock Length)	Make Proper Selection	Stock Lengths Required
3	Open Back Filler (24'-0" Stock Length)	Make Proper Selection	Stock Lengths Required
4	Glazing Pressure Plate (24'-0" Stock Length)	Make Proper Selection	Stock Lengths Required
5	Thermal Separator (250' Roll)	162310	Vertical / Horizontal Footage
6	Pressure Plate Fastener	128960	1.8 x Thermal Separator
7	Cover (24'-0" Stock Length)	Make Proper Selection	Stock Lengths Required
8	Interior / Exterior Weathering	027850	4 x Vertical / Horizontal Footage
9	Setting Block - 1/4" Infill (1" infill framing system)	027906	2 per DLO
9	Setting Block - 1" Infill (1" infill framing system)	127105	2 per DLO



REF#	DESCRIPTION	PART NUMBER	TAKE-OFF GUIDE
9	Setting Block - 1" Infill (1-3/4" infill framing system)	127105	2 per DLO
9	Setting Block - 1-3/4" Infill (1-3/4" Infill System)	127464	2 per DLO
10	Setting Block Chair - 1" Infill (1" infill framing system)	171306	2 per DLO
10	Setting Block Chair - 1" Infill (1-3/4" infill framing system)	171305	2 per DLO
10	Setting Block Chair - 1-3/4" Infill (1-3/4" infill framing system)	171305	2 per DLO
12	Shear Block	See Shear Block Parts ID	2 per Horizontal
13	Shear Block to Vertical Fastener	128570	2 per Shear Block
14	Shear Block to Horizontal Fastener	128930	2 per Shear Block
15	Joint Plug (Captured Verticals) (1" infill framing system)	178324	1 Per Horizontal, per Jamb
15	Joint Plug for Captured Verticals (1-3/4" infill framing system)	171301	1 Per Horizontal, per Jamb
15	Joint Plug for SSG Verticals (1" infill framing system)	178326	1 Per Horizontal
15	Joint Plug for SSG Verticals (1-3/4" infill framing System)	179302	1 Per Horizontal
16	Vertical End Caps (1" infill framing system)	179304	2 Per Captured Vertical
16	Vertical End Caps (1-3/4" infill framing Ssstem)	179306	2 Per Captured Vertical
17	Vertical Silicone Spacer - Typical	027475	2 x SSG Vertical Footage
17	Vertical Silicone Spacer (See Details)	027648	2 x SSG Vertical Footage
21	#10-16 x 1-1/4" FHSMD (Used with SSG Infill Adapter 178027)	128348	1.8 x 178027 footage
22	Full SSG Infill Adapter	178027	Stock Lengths Required
23	Half SSG Infill Adapter	178028	Stock Lengths Required
24	#10-16 x 9/16" PHSMD (Used with SSG Infill Adapter 178028)	977028	1.8 x 178028 footage
25	1/4" x 1/4" Foam Spacer	127095	As required at SSG Verticals where structural seal is applied from exterior
33	Corner Shear Block	178343	2 per Horizontal
38	6" SSG Mullion - 90° Outside Corner	162101	Stock Lengths Required
39	SSG Infill Adapter - 90° Outside Corner	162102	Stock Lengths Required
40	#10 x 1-5/8" Type I CRFCHTFS (Used with 162102 SSG Infill Adapter on 90° SSG Mullion)	028336	1.5 x Corner Adapter footage
41	7-1/2" SSG Mullion - 90° Outside Corner	162254	Stock Lengths Required
55	SSG Tongue Adapter	169022	Stock Lengths Required

REF#	DESCRIPTION	PART NUMBER	TAKE-OFF GUIDE
56	1/4" x 1" Hex Washer Head Thread Forming Screw AB (Used with 179300 Pressure Plate on Entrance Framing)	128406	1.8 x 179300 footage
57	#10 x 1-1/4" Type I CRFCHTFS B (Attaches 169022 SSG Tongue Adapter to mullion)	028761	1.8 x 169022 footage



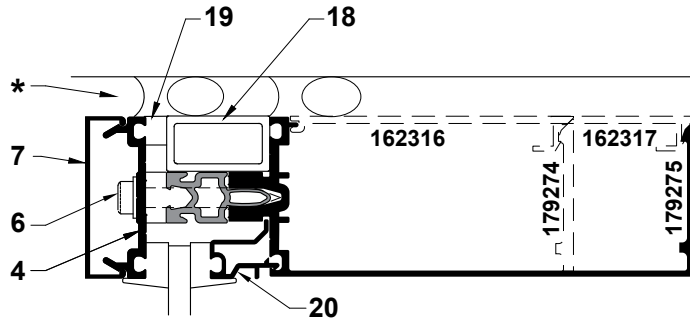
### NOTICE

For other applications and accessories, reference shop drawings, installation instructions and Kawneer's website at [www.kawneer.com](http://www.kawneer.com).

## Detail Views

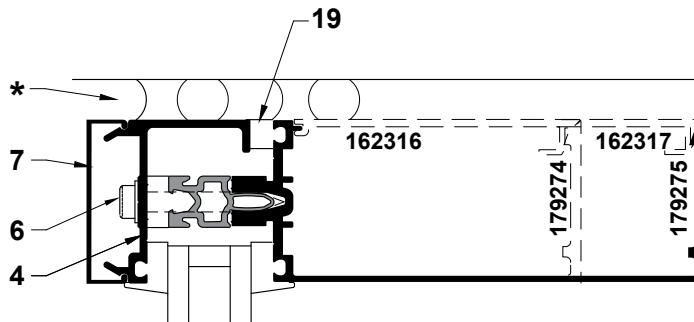
### Head Horizontal Details

#### 1/4" Infill (1" Infill Framing System)



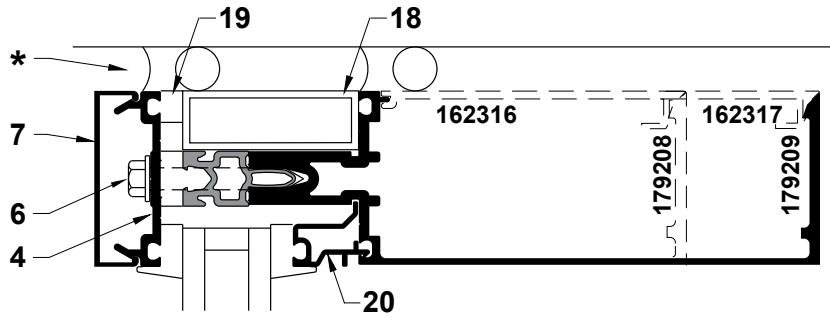
REF#	PART NUMBER: DESCRIPTION	REF#	PART NUMBER: DESCRIPTION
4	178300: Pressure Plate	19	027857: Gasket Fixed 1/4"
6	128960: 1/4"-14 x 1 3/4" Plain Hex Washer Head Custom Self-Drilling Screw	20	178018: Infill Adapter
7	178006: Cover, 3/4" Projection	*	#####: Sealant and Backer Rod (by others)
18	179303: Thermal Pocket Filler 1"		

#### 1" Infill (1" Infill Framing System)



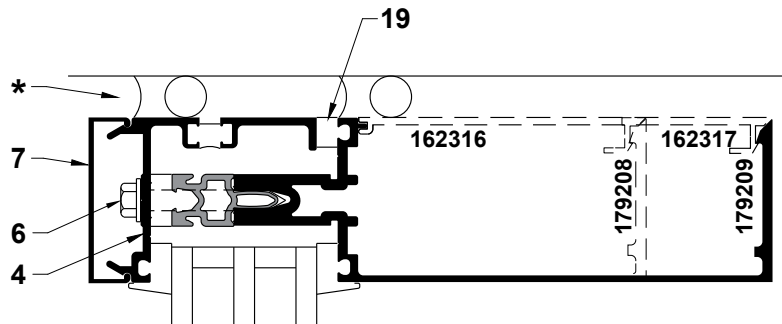
REF#	PART NUMBER: DESCRIPTION	REF#	PART NUMBER: DESCRIPTION
4	178305: Pressure Plate	19	027857: Gasket Fixed 1/4"
6	128960: 1/4"-14 x 1 3/4" Plain Hex Washer Head Custom Self-Drilling Screw	*	#####: Sealant and Backer Rod (by others)
7	178006: Cover, 3/4" Projection		

1" Infill (1-3/4" Infill Framing System)



REF#	PART NUMBER: DESCRIPTION	REF#	PART NUMBER: DESCRIPTION
4	178300: Pressure Plate	19	027857: Gasket Fixed 1/4"
6	128960: 1/4"-14 x 1 3/4" Plain Hex Washer Head Custom Self-Drilling Screw	20	178018: Infill Adapter
7	178006: Cover, 3/4" Projection	*	#####: Sealant and Backer Rod (by others)
18	179305: Thermal Pocket Filler 1-3/4"		

1-3/4" Infill (1-3/4" Infill Framing System)



REF#	PART NUMBER: DESCRIPTION	REF#	PART NUMBER: DESCRIPTION
4	179300: Pressure Plate	19	027857: Gasket Fixed 1/4"
6	128960: 1/4"-14 x 1 3/4" Plain Hex Washer Head Custom Self-Drilling Screw	*	#####: Sealant and Backer Rod (by others)
7	178006: Cover, 3/4" Projection		

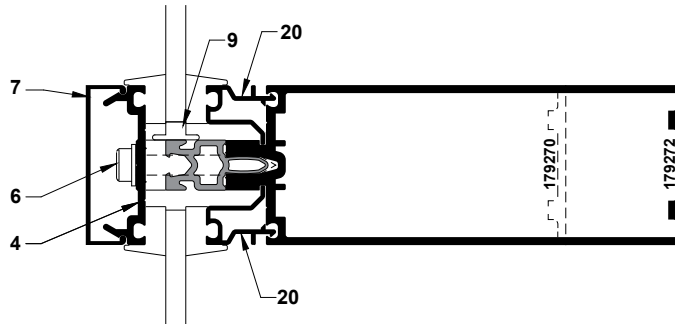
## Intermediate Horizontal Details



### NOTICE

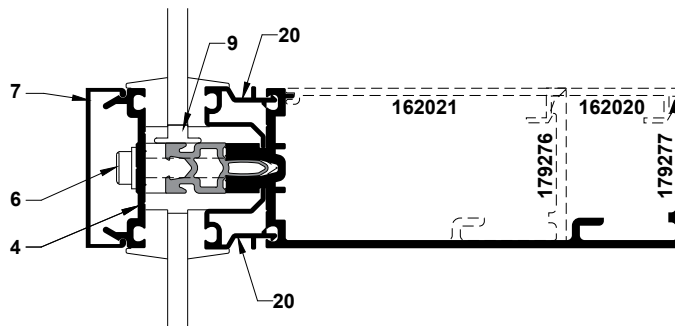
Do not reduce the .625" embedment depth of the 1620UT pressure plate fastener in the screw race. Other accommodations/components must be made for other optional infill sizes/applications to ensure thread engagement as designed. Torque applied to 1620UT pressure plate fasteners is 95 to 100 in-lbs per standard installation instructions for all infill depths.

#### 1/4" Over 1/4" (1" Infill System)



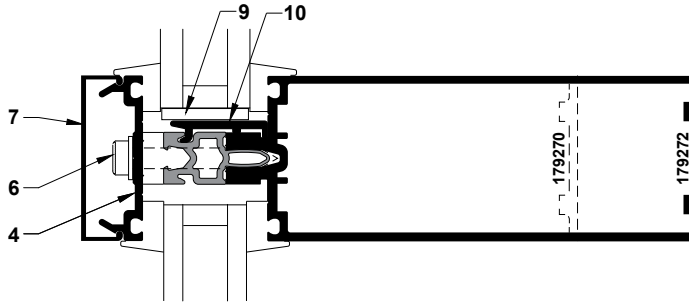
REF#	PART NUMBER: DESCRIPTION	REF#	PART NUMBER: DESCRIPTION
4	178300: Pressure Plate	9	027906: Setting Block, 1/4" Infill
6	128960: 1/4"-14 x 1 3/4" Plain Hex Washer Head Custom Self-Drilling Screw	20	178018: Infill Adapter
7	178006: Cover, 3/4" Projection		

#### 1/4" Over 1/4" Open Back Horizontal (1" Infill System)



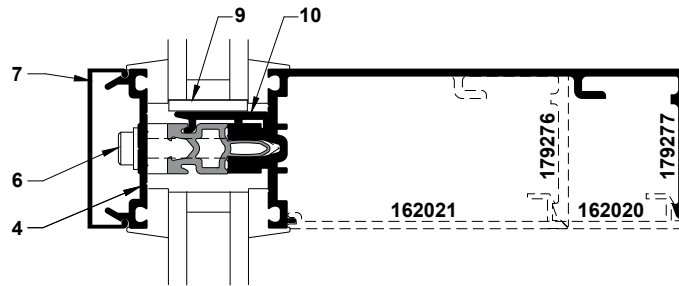
REF#	PART NUMBER: DESCRIPTION	REF#	PART NUMBER: DESCRIPTION
4	178300: Pressure Plate	9	027906: Setting Block, 1/4" Infill
6	128960: 1/4"-14 x 1 3/4" Plain Hex Washer Head Custom Self-Drilling Screw	20	178018: Infill Adapter
7	178006: Cover, 3/4" Projection		

**1" Over 1" (1" Infill System)**



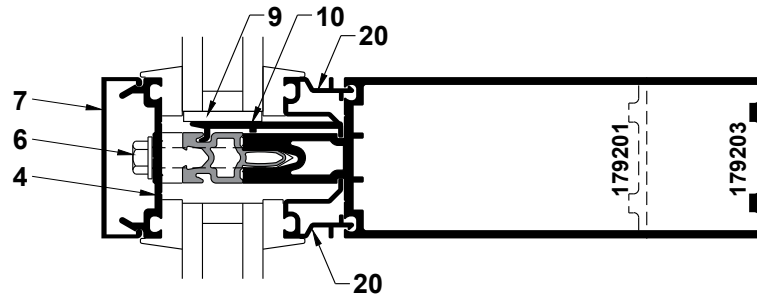
REF#	PART NUMBER: DESCRIPTION	REF#	PART NUMBER: DESCRIPTION
4	178300: Pressure Plate	9	127105: Setting Block, 1" Infill
6	128960: 1/4"-14 x 1 3/4" Plain Hex Washer Head Custom Self-Drilling Screw	10	171306: Setting Block Chair
7	178006: Cover, 3/4" Projection		

**1" Over 1" Open Back Horizontal (1" Infill System)**



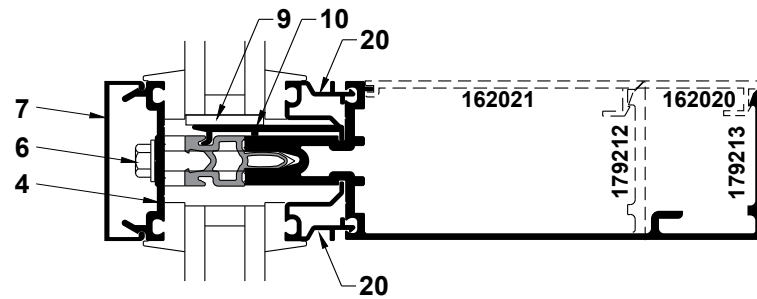
REF#	PART NUMBER: DESCRIPTION	REF#	PART NUMBER: DESCRIPTION
4	178300: Pressure Plate	9	127105: Setting Block, 1" Infill
6	128960: 1/4"-14 x 1 3/4" Plain Hex Washer Head Custom Self-Drilling Screw	10	171306: Setting Block Chair
7	178006: Cover, 3/4" Projection		

**1" Over 1" (1-3/4" Infill System)**



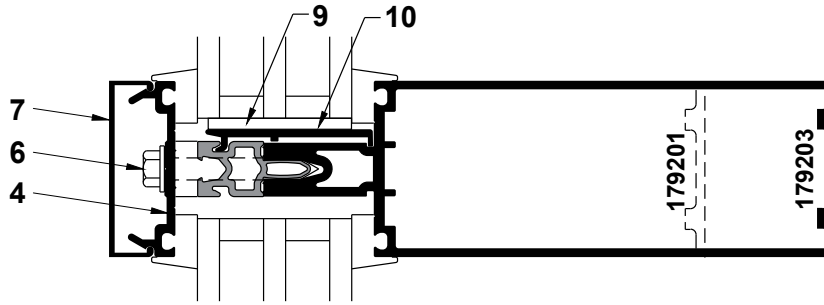
REF#	PART NUMBER: DESCRIPTION	REF#	PART NUMBER: DESCRIPTION
4	178300: Pressure Plate	9	127105: Setting Block, 1" Infill
6	128960: 1/4"-14 x 1 3/4" Plain Hex Washer Head Custom Self-Drilling Screw	10	171305: Setting Block Chair
7	178006: Cover, 3/4" Projection	20	178018: Infill Adapter

**1" Over 1" Open Back Horizontal (1-3/4" Infill System)**



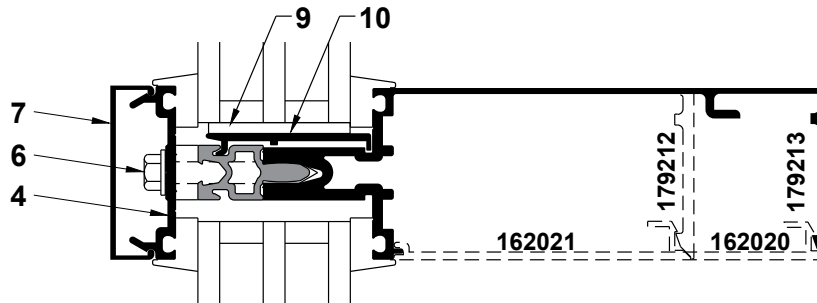
REF#	PART NUMBER: DESCRIPTION	REF#	PART NUMBER: DESCRIPTION
4	178300: Pressure Plate	9	127105: Setting Block, 1" Infill
6	128960: 1/4"-14 x 1 3/4" Plain Hex Washer Head Custom Self-Drilling Screw	10	171305: Setting Block Chair
7	178006: Cover, 3/4" Projection	20	178018: Infill Adapter

1-3/4" Over 1-3/4" (1-3/4" Infill System)



REF#	PART NUMBER: DESCRIPTION	REF#	PART NUMBER: DESCRIPTION
4	178300: Pressure Plate	9	127464: Setting Block, 1-3/4" Infill
6	128960: 1/4"-14 x 1 3/4" Plain Hex Washer Head Custom Self-Drilling Screw	10	171305: Setting Block Chair
7	178006: Cover, 3/4" Projection		

1-3/4" Over 1-3/4" Open Back Horizontal (1-3/4" Infill System)

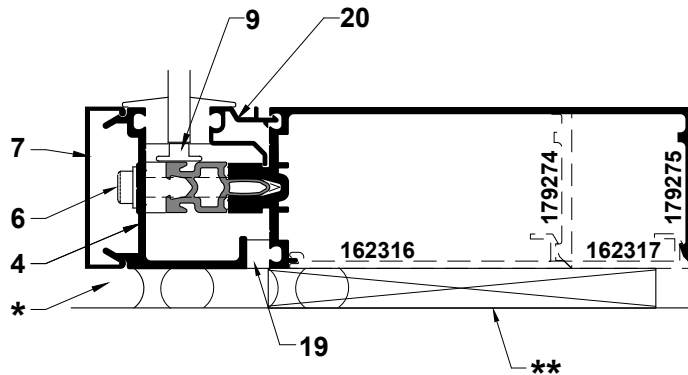


REF#	PART NUMBER: DESCRIPTION	REF#	PART NUMBER: DESCRIPTION
4	178300: Pressure Plate	9	127464: Setting Block, 1-3/4" Infill
6	128960: 1/4"-14 x 1 3/4" Plain Hex Washer Head Custom Self-Drilling Screw	10	171305: Setting Block Chair
7	178006: Cover, 3/4" Projection		



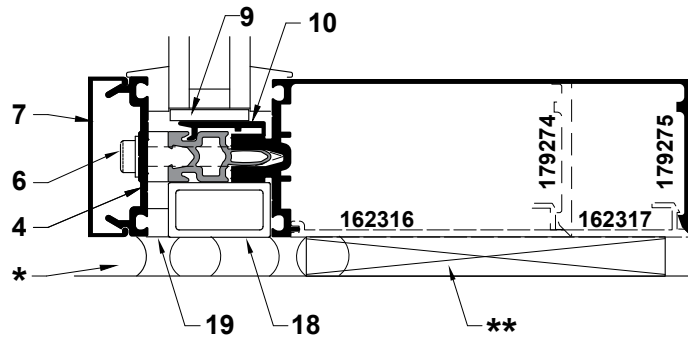
### Sill Horizontal Details

#### 1/4" Infill (1" Infill Framing System)



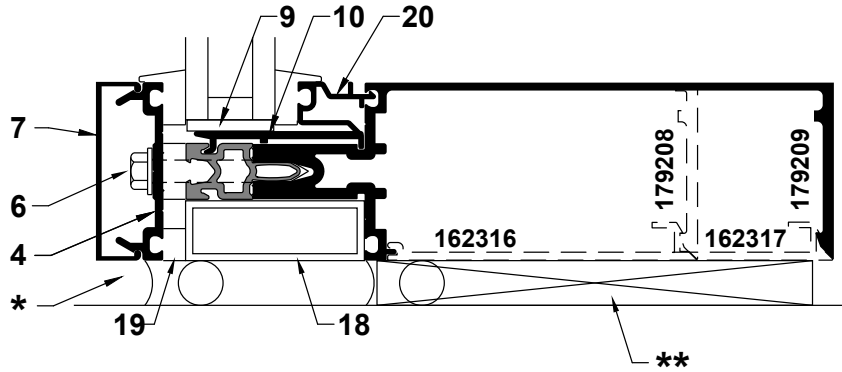
REF#	PART NUMBER: DESCRIPTION	REF#	PART NUMBER: DESCRIPTION
4	178305: Pressure Plate	19	027857: Gasket Fixed 1/4"
6	128960: 1/4"-14 x 1 3/4" Plain Hex Washer Head Custom Self-Drilling Screw	20	178018: Infill Adapter
7	178006: Cover, 3/4" Projection	*	#####: Sealant and Backer Rod (by others)
9	027906: Setting Block, 1/4" Infill	**	#####: Shim as Required (by others)

#### 1" Infill (1" Infill Framing System)



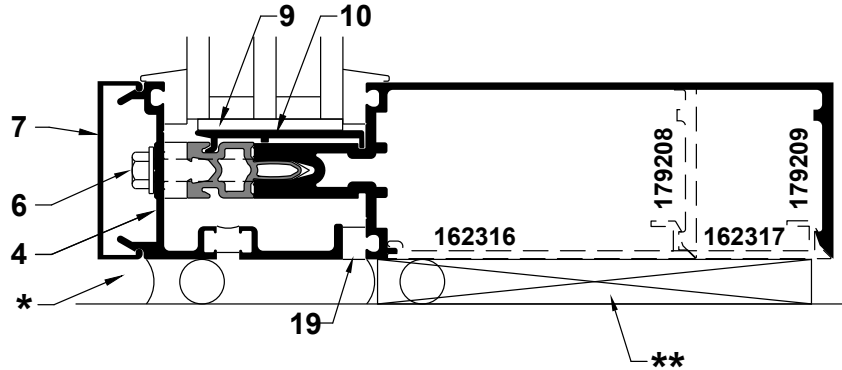
REF#	PART NUMBER: DESCRIPTION	REF#	PART NUMBER: DESCRIPTION
4	178300: Pressure Plate	18	179303: Thermal Pocket Filler 1"
6	128960: 1/4"-14 x 1 3/4" Plain Hex Washer Head Custom Self-Drilling Screw	19	027857: Gasket Fixed 1/4"
7	178006: Cover, 3/4" Projection	*	#####: Sealant and Backer Rod (by others)
9	127105: Setting Block	**	#####: Shim as Required (by others)
10	171306: Setting Block Chair 1"		

1" Infill (1-3/4" Infill Framing System)



REF#	PART NUMBER: DESCRIPTION	REF#	PART NUMBER: DESCRIPTION
4	178300: Pressure Plate	18	179305: Thermal Pocket Filler 1-3/4"
6	128960: 1/4"-14 x 1 3/4" Plain Hex Washer Head Custom Self-Drilling Screw	19	027857: Gasket Fixed 1/4"
7	178006: Cover, 3/4" Projection	20	178018: Infill Adapter
9	127105: Setting Block, 1" Infill	*	#####: Sealant and Backer Rod (by others)
10	171305: Setting Block Chair	**	#####: Shim as Required (by others)

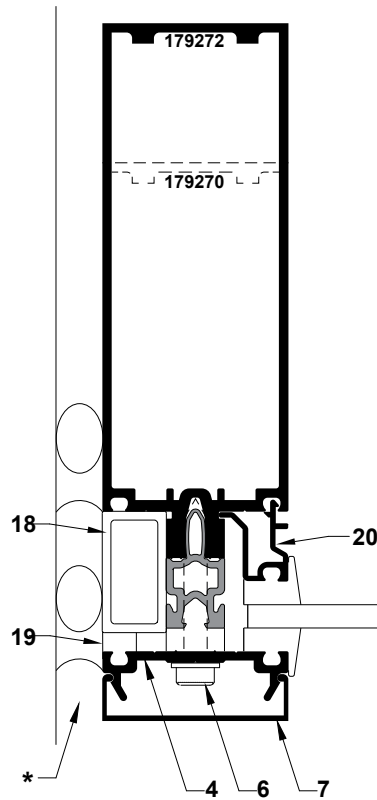
1-3/4" Infill (1-3/4" Infill Framing System)



REF#	PART NUMBER: DESCRIPTION	REF#	PART NUMBER: DESCRIPTION
4	179300: Pressure Plate	10	171305: Setting Block Chair
6	128960: 1/4"-14 x 1 3/4" Plain Hex Washer Head Custom Self-Drilling Screw	19	027857: Gasket Fixed 1/4"
7	178006: Cover, 3/4" Projection	*	#####: Sealant and Backer Rod (by others)
9	127464: Setting Block, 1-3/4" Infill	**	#####: Shim as Required (by others)

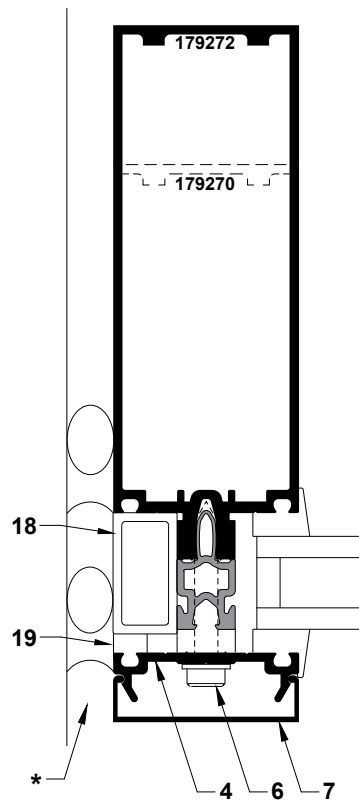
## Vertical Jamb Details

### 1/4" Infill with Pocket Filler (1" Infill Framing System)



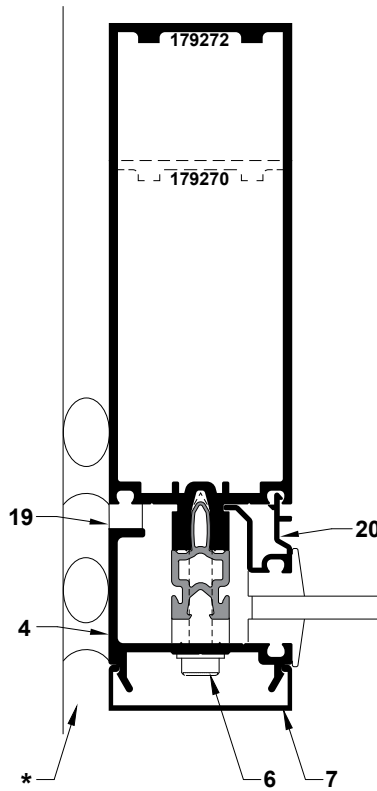
REF#	PART NUMBER: DESCRIPTION
4	178300: Pressure Plate
6	128960: 1/4"-14 x 1 3/4" Plain Hex Washer Head Custom Self-Drilling Screw
7	178006: Cover, 3/4" Projection
18	179303: Thermal Pocket Filler 1"
19	027857: Gasket Fixed 1/4"
20	178018: Infill Adapter
*	#####: Sealant and Backer Rod (by others)

1" Infill with Pocket Filler (1" Infill Framing System)



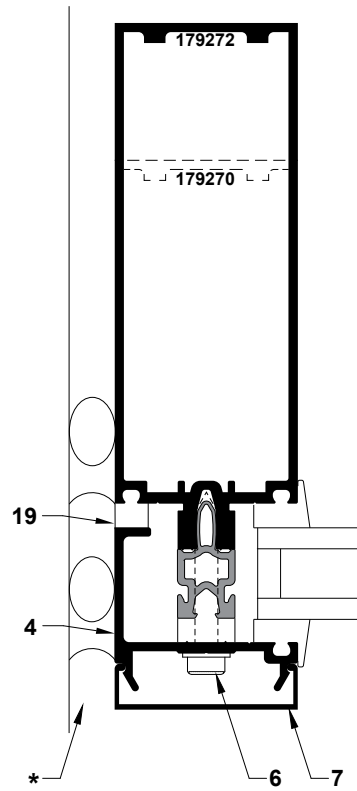
REF#	PART NUMBER: DESCRIPTION
4	178300: Pressure Plate
6	128960: 1/4"-14 x 1 3/4" Plain Hex Washer Head Custom Self-Drilling Screw
7	178006: Cover, 3/4" Projection
18	179303: Thermal Pocket Filler 1"
19	027857: Gasket Fixed 1/4"
*	#####: Sealant and Backer Rod (by others)

**1/4" Infill with Perimeter Pressure Plate (1" Infill Framing System)**



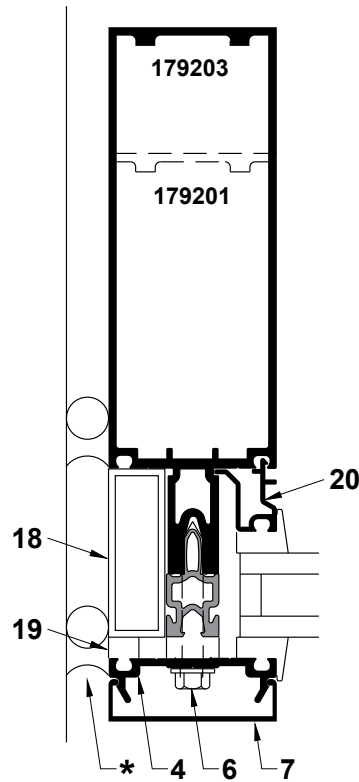
REF#	PART NUMBER: DESCRIPTION
4	178305: Pressure Plate
6	128960: 1/4"-14 x 1 3/4" Plain Hex Washer Head Custom Self-Drilling Screw
7	178006: Cover, 3/4" Projection
19	027857: Gasket Fixed 1/4"
20	178018: Infill Adapter
*	#####: Sealant and Backer Rod (by others)

**1" Infill with Perimeter Pressure Plate (1" Infill Framing System)**



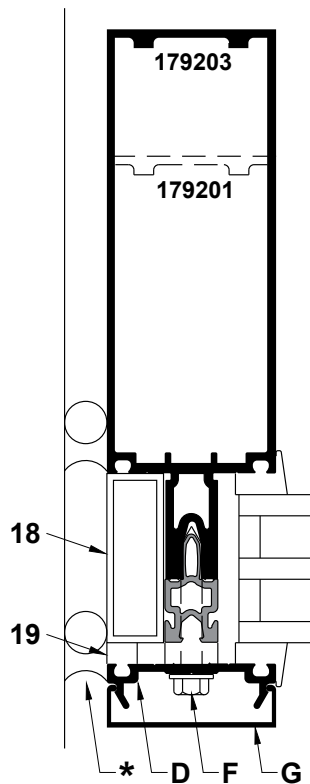
REF#	PART NUMBER: DESCRIPTION
4	178305: Pressure Plate
6	128960: 1/4"-14 x 1 3/4" Plain Hex Washer Head Custom Self-Drilling Screw
7	178006: Cover, 3/4" Projection
19	027857: Gasket Fixed 1/4"
*	#####: Sealant and Backer Rod (by others)

**1" Infill with Pocket Filler (1-3/4" Infill Framing System)**



REF#	PART NUMBER: DESCRIPTION
4	178300: Pressure Plate
6	128960: 1/4"-14 x 1 3/4" Plain Hex Washer Head Custom Self-Drilling Screw
7	178006: Cover, 3/4" Projection
18	179305: Thermal Pocket Filler 1-3/4"
19	027857: Gasket Fixed 1/4"
20	178018: Infill Adapter
*	#####: Sealant and Backer Rod (by others)

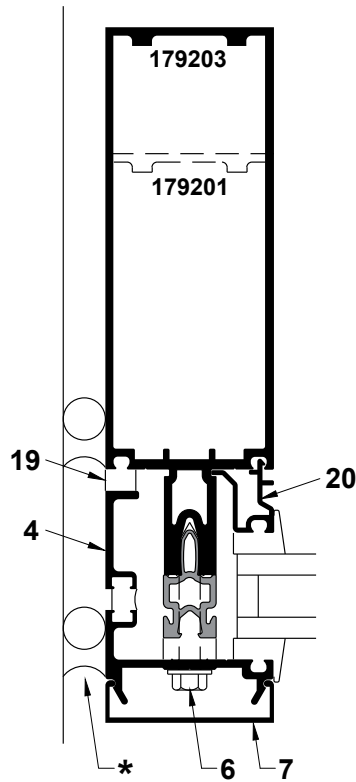
### 1-3/4" Infill with Pocket Filler (1-3/4" Infill Framing System)



REF#	PART NUMBER: DESCRIPTION
4	178300: Pressure Plate
6	128960: 1/4"-14 x 1 3/4" Plain Hex Washer Head Custom Self-Drilling Screw
7	178006: Cover, 3/4" Projection
18	179305: Thermal Pocket Filler 1-3/4"
19	027857: Gasket Fixed 1/4"
*	#####: Sealant and Backer Rod (by others)

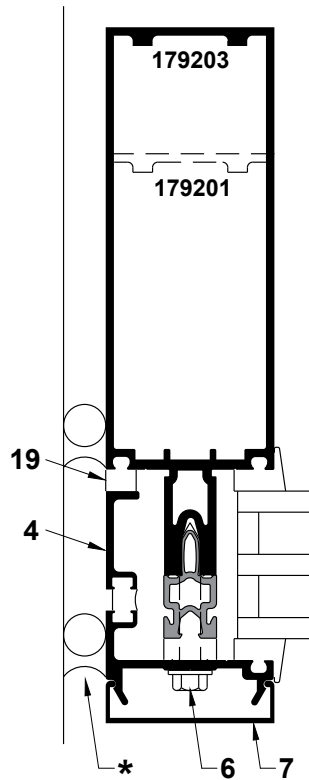


**1" Infill with Perimeter Pressure Plate (1-3/4" Infill Framing System)**



REF#	PART NUMBER: DESCRIPTION
4	179300: Pressure Plate
6	128960: 1/4"-14 x 1 3/4" Plain Hex Washer Head Custom Self-Drilling Screw
7	178006: Cover, 3/4" Projection
19	027857: Gasket Fixed 1/4"
20	178018: Infill Adapter
*	#####: Sealant and Backer Rod (by others)

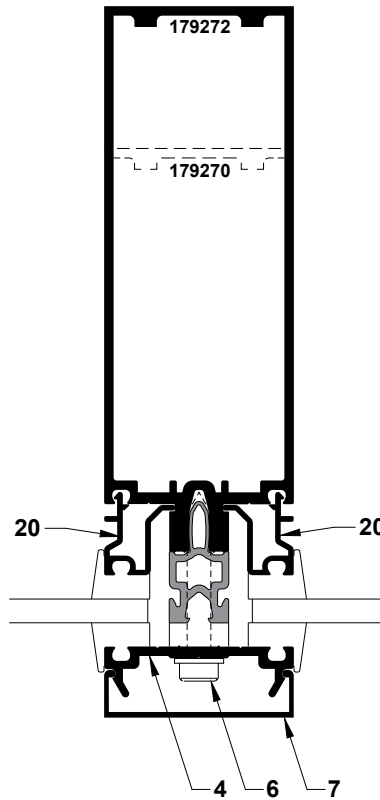
**1-3/4" Infill with Perimeter Pressure Plate (1-3/4" Infill Framing System)**



REF#	PART NUMBER: DESCRIPTION
4	179300: Pressure Plate
6	128960: 1/4"-14 x 1 3/4" Plain Hex Washer Head Custom Self-Drilling Screw
7	178006: Cover, 3/4" Projection
19	027857: Gasket Fixed 1/4"
*	#####: Sealant and Backer Rod (by others)

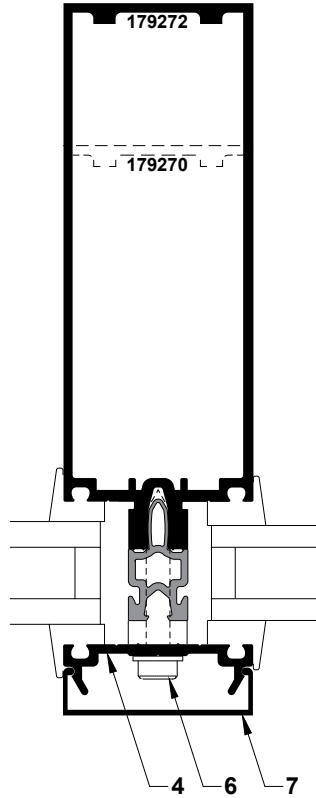
## Captured Intermediate Vertical Details

1/4" - 1/4" (1" Infill Framing System)



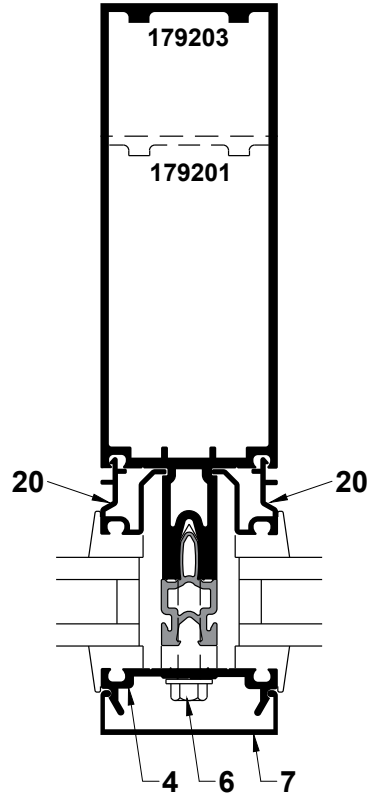
REF#	PART NUMBER: DESCRIPTION
4	178300: Pressure Plate
6	128960: 1/4"-14 x 1 3/4" Plain Hex Washer Head Custom Self-Drilling Screw
7	178006: Cover, 3/4" Projection
20	178018: Infill Adapter

1" - 1" (1" Infill Framing System)



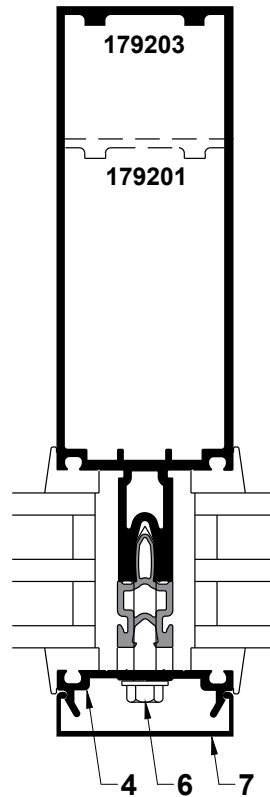
REF#	PART NUMBER: DESCRIPTION
4	178300: Pressure Plate
6	128960: 1/4"-14 x 1 3/4" Plain Hex Washer Head Custom Self-Drilling Screw
7	178006: Cover, 3/4" Projection

1" - 1" (1-3/4" Infill Framing System)



REF#	PART NUMBER: DESCRIPTION
4	178300: Pressure Plate
6	128960: 1/4"-14 x 1 3/4" Plain Hex Washer Head Custom Self-Drilling Screw
7	178006: Cover, 3/4" Projection
20	178018: Infill Adapter

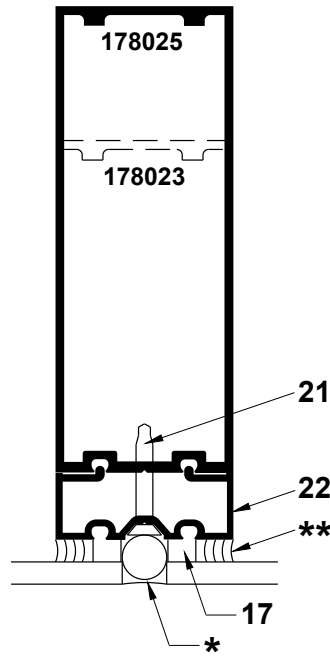
## 1-3/4" - 1-3/4" (1-3/4" Infill Framing System)



REF#	PART NUMBER: DESCRIPTION
4	178300: Pressure Plate
6	128960: 1/4"-14 x 1 3/4" Plain Hex Washer Head Custom Self-Drilling Screw
7	178006: Cover, 3/4" Projection

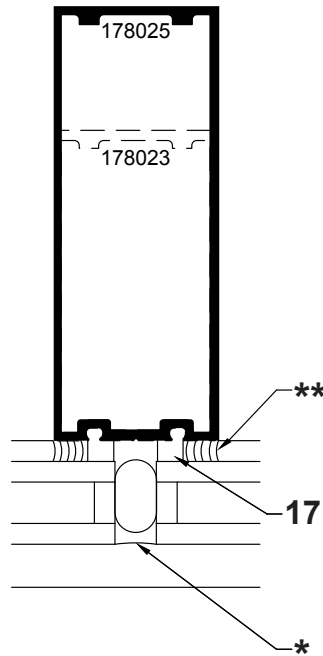
## SSG Intermediate Vertical Details

1/4" - 1/4" (1" Infill Framing System)



REF#	PART NUMBER: DESCRIPTION
17	027475: SSG Spacer
21	128348: 10-16 x 1-1/4" FHSMD
22	178027: SSG Vertical Adapter
*	#####: Sealant and Backer Rod (by others)
**	#####: Structural Silicone Sealant (by others)
<div style="background-color: #f0f0f0; padding: 10px;"> <p><b>i</b> <b>NOTICE</b>                      Installer is responsible for all required compatibility review and approvals with the Structural Silicone Manufacturer and the Insulating Glass Unit Manufacturer.</p> </div>	

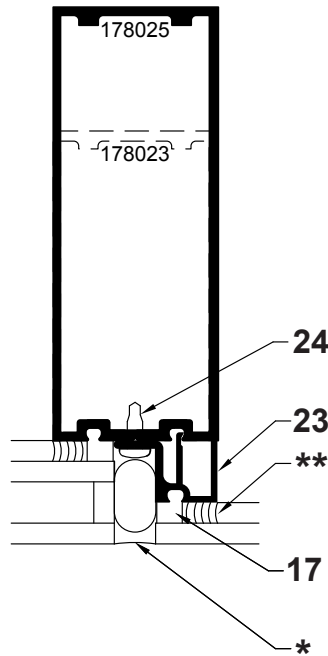
1" - 1" (1" Infill Framing System)



REF#	PART NUMBER: DESCRIPTION
17	027475: SSG Spacer
*	#####: Sealant and Backer Rod (by others)
**	#####: Structural Silicone Sealant (by others)
<div style="background-color: #f0f0f0; padding: 10px;"> <p><b>i</b> <b>NOTICE</b>                      Installer is responsible for all required compatibility review and approvals with the Structural Silicone Manufacturer and the Insulating Glass Unit Manufacturer.</p> </div>	



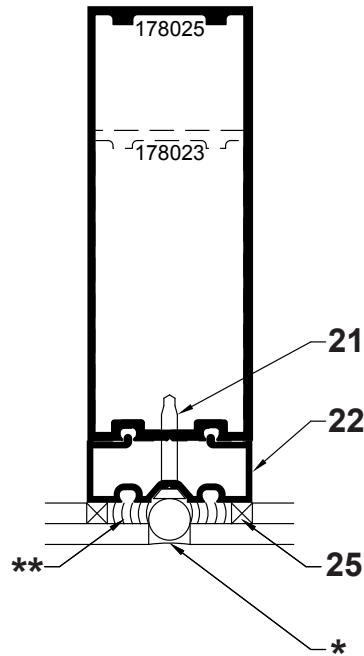
1" - 1/4" (1" Infill Framing System)



REF#	PART NUMBER: DESCRIPTION
17	027475: SSG Spacer
23	178028: SSG Infill Adapter
24	977028: 10-16 X 9/16" PHSMD
*	#####: Sealant and Backer Rod (by others)
**	#####: Structural Silicone Sealant (by others)

**i NOTICE**  
 Installer is responsible for all required compatibility review and approvals with the Structural Silicone Manufacturer and the Insulating Glass Unit Manufacturer.

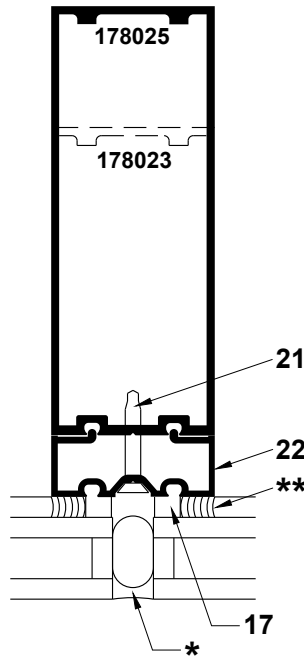
1/4" - 1/4" Structural Seal from Exterior (1" Infill Framing System)



REF#	PART NUMBER: DESCRIPTION
21	128348: 10-16 x 1-1/4" FHSM
22	178027: SSG Vertical Adapter
25	127095: 1/4" x 1/4" Foam Spacer
*	#####: Sealant and Backer Rod (by others)
**	#####: Structural Silicone Sealant (by others)

**i NOTICE**  
 Installer is responsible for all required compatibility review and approvals with the Structural Silicone Manufacturer and the Insulating Glass Unit Manufacturer.

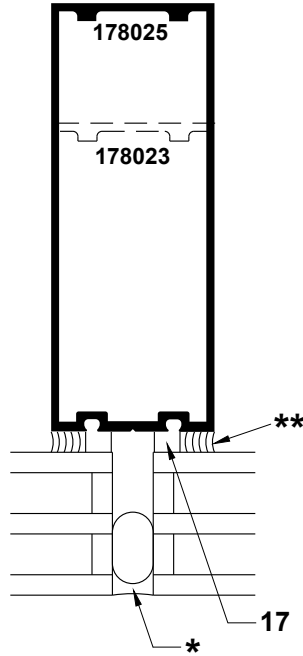
1" - 1" (1-3/4" Infill Framing System)



REF#	PART NUMBER: DESCRIPTION
17	027475: SSG Spacer
21	128348: 10-16 x 1-1/4" FHSMD
22	178027: SSG Vertical Adapter
*	#####: Sealant and Backer Rod (by others)
**	#####: Structural Silicone Sealant (by others)

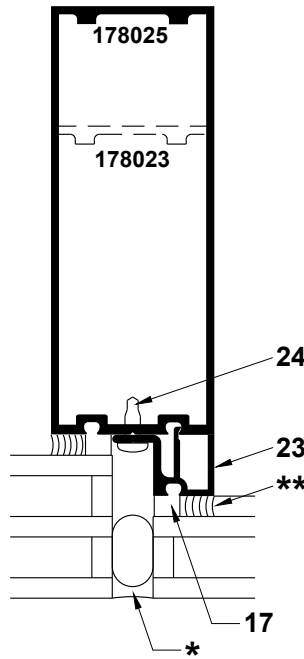
**i NOTICE**  
 Installer is responsible for all required compatibility review and approvals with the Structural Silicone Manufacturer and the Insulating Glass Unit Manufacturer.

1-3/4" - 1-3/4" (1-3/4" Infill Framing System)



REF#	PART NUMBER: DESCRIPTION
17	027475: SSG Spacer
*	#####: Sealant and Backer Rod (by others)
**	#####: Structural Silicone Sealant (by others)
<p><b>i</b> <b>NOTICE</b>                      Installer is responsible for all required compatibility review and approvals with the Structural Silicone Manufacturer and the Insulating Glass Unit Manufacturer.</p>	

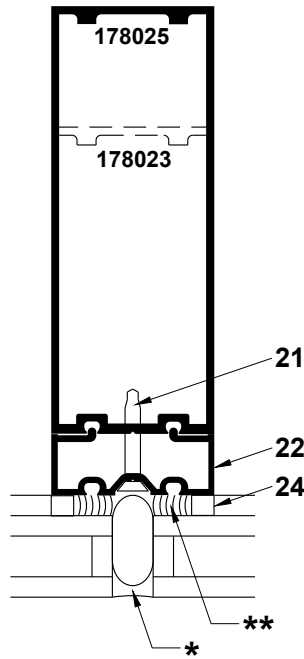
1-3/4" - 1" (1-3/4" Infill Framing System)



REF#	PART NUMBER: DESCRIPTION
17	027475: SSG Spacer
23	178028: SSG Infill Adapter
24	977028: 10-16 X 9/16" PHSMD
*	#####: Sealant and Backer Rod (by others)
**	#####: Structural Silicone Sealant (by others)

**i NOTICE**  
 Installer is responsible for all required compatibility review and approvals with the Structural Silicone Manufacturer and the Insulating Glass Unit Manufacturer.

1" - 1" Structural Seal from Exterior (1-3/4" Infill Framing System)

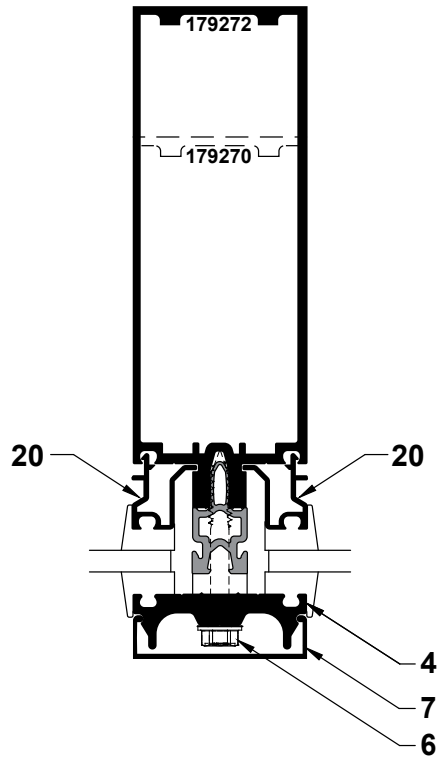


REF#	PART NUMBER: DESCRIPTION
21	128348: 10-16 x 1-1/4" FHSMD
22	178027: SSG Vertical Adapter
24	127095: 1/4" x 1/4" Foam Spacer
*	#####: Sealant and Backer Rod (by others)
**	#####: Structural Silicone Sealant (by others)

**i NOTICE**  
 Installer is responsible for all required compatibility review and approvals with the Structural Silicone Manufacturer and the Insulating Glass Unit Manufacturer.

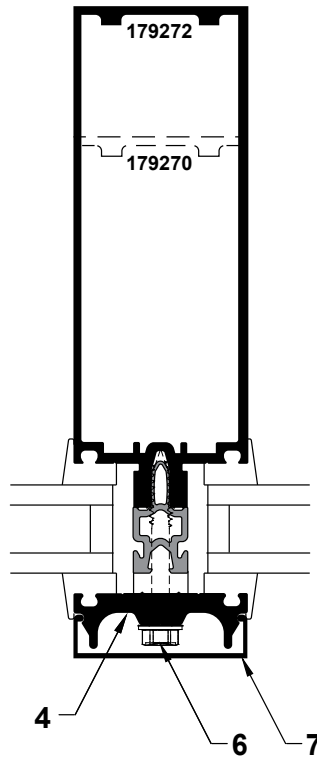
## Fiberglass Pressure Plate Intermediate Details

1/4" - 1/4" (1" Infill Framing System)



REF#	PART NUMBER: DESCRIPTION
4	178339: Fiberglass Pressure Plate
	<p><b>NOTICE</b>                      178339 requires 128976 - 1/4"-14 x 2" Plain Hex Washer Head Custom Self Drilling Screw to attach pressure plate.</p>
6	128976: 1/4-14 X 2" Plain Hex Washer Head Custom Self-Drilling Screw
7	178006: Cover, 3/4" Projection
20	178018: 1/4" Infill Adapter

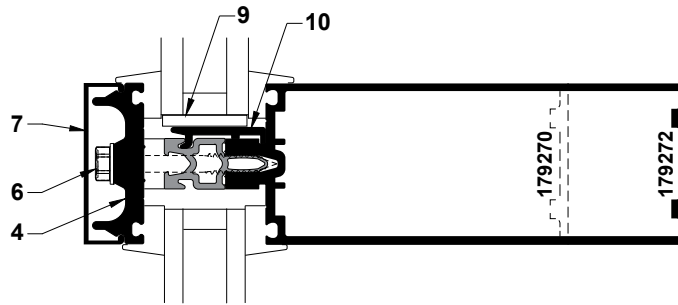
1" - 1" (1" Infill Framing System)



REF#	PART NUMBER: DESCRIPTION
4	178339: Fiberglass Pressure Plate
	<div style="background-color: #f0f0f0; padding: 5px;"> <p><b>NOTICE</b> 178339 requires 128976 - 1/4"-14 x 2" Plain Hex Washer Head Custom Self Drilling Screw to attach pressure plate.</p> </div>
6	128976: 1/4-14 X 2" Plain Hex Washer Head Custom Self-Drilling Screw
7	178006: Cover, 3/4" Projection



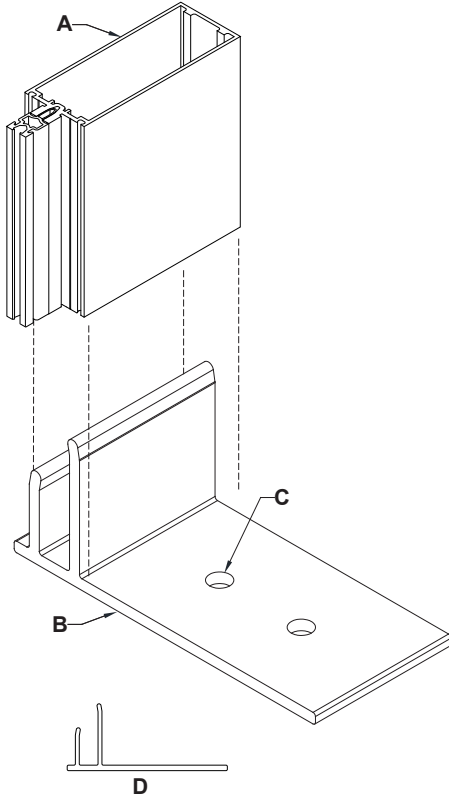
1" Over 1" (1" Infill Framing System)



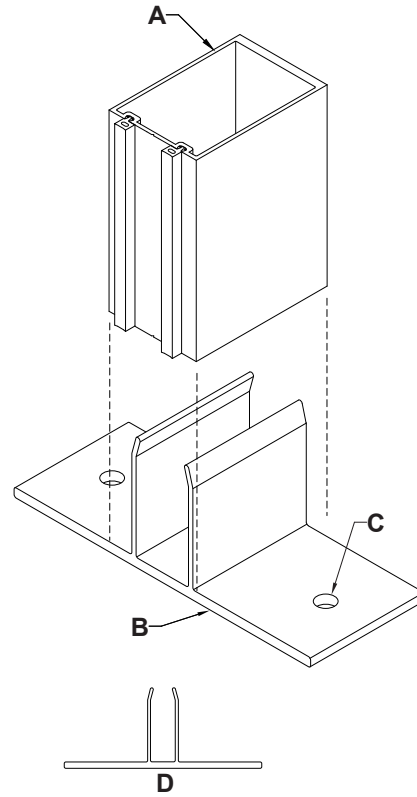
REF#	PART NUMBER: DESCRIPTION
4	178339: Fiberglass Pressure Plate
	<p><b>i</b> <b>NOTICE</b> 178339 requires 128976 - 1/4"-14 x 2" Plain Hex Washer Head Custom Self Drilling Screw to attach pressure plate.</p>
6	128976: 1/4-14 X 2" Plain Hex Washer Head Custom Self-Drilling Screw
7	178006: Cover, 3/4" Projection
9	127105: Setting Block, 1" Infill
10	171306: Setting Block Chair

## F & T Anchors

**F Anchor (1" Infill Framing System Shown, 1-3/4" Infill Framing System Similar)**



**T Anchor (1" Infill Framing System Shown, 1-3/4" Infill Framing System Similar)**



REF	DESCRIPTION
A	Mullion
B	"F" Anchor ("T" Anchor similar)
C	Fastener Preps
D	"F" Anchor Profile

REF	DESCRIPTION
A	Mullion
B	"T" Anchor ("F" Anchor similar)
C	Fastener Preps
D	"T" Anchor Profile

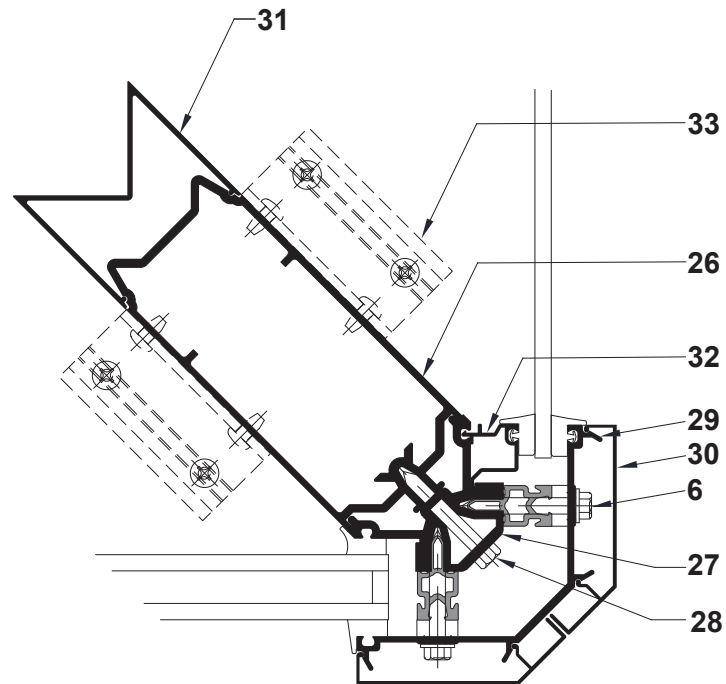
**F - Anchor Chart**

PART NUMBER	FOR USE WITH	SYSTEM
178307	179270, 179271	6"
178320	179272, 179273	7-1/2"
178327	178023, 178024	6", 6-3/4"
178329	178025, 178026	7-1/2", 8-1/4"
178307	179201, 179202	6-3/4"
178320	179203, 179204	8-1/4"

**T - Anchor Chart**

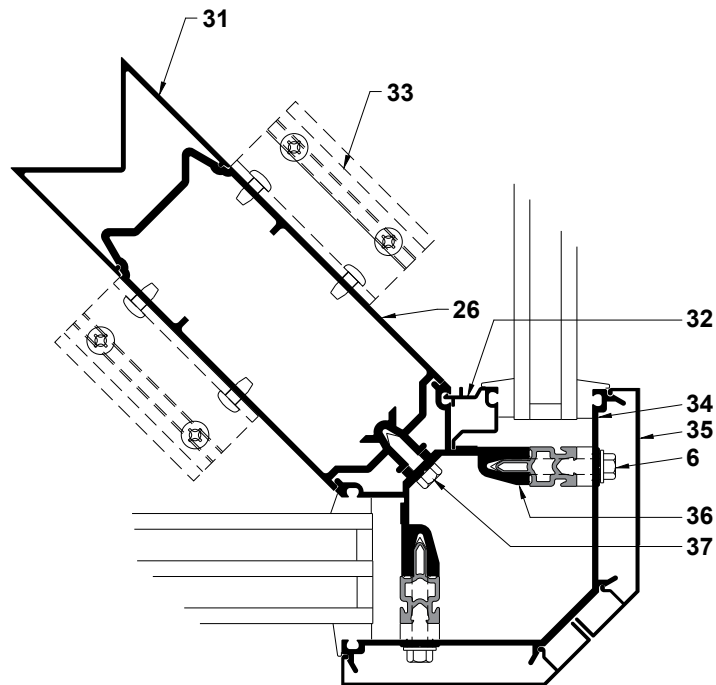
PART NUMBER	FOR USE WITH	SYSTEM
178308	179270, 179271	6"
178321	179272, 179273	7-1/2"
178328	178023, 178024	6", 6-3/4"
178330	178025, 178026	7-1/2", 8-1/4"
178308	179201, 179202	6-3/4"
178321	179203, 179204	8-1/4"

## 90° Outside Captured Single Mullion Corner 1" - 1/4" (1" Infill Framing System)



REF#	PART NUMBER: DESCRIPTION
6	128960: 1/4"-14 x 1 3/4" Plain Hex Washer Head Custom Self-Drilling Screw
26	162258: 7-1/2" Mullion - 90° Outside Corner (Shown)
26	162118: 6" Mullion - 90° Outside Corner (Similar) Note: Does not require interior cover 162255.
27	171223: 1" Tongue Adapter - 90° Outside Corner
28	415430: 1/4" x 1-3/4" Type AB Hex Head Thread Forming Screw
29	162366: Pressure Plate Stock Length
30	162121: 1" Exterior Cover 90° Outside Corner
31	162255: Interior Cover 90° Outside Corner
32	162019: Infill Adapter
33	178343: Corner Shear Block

### 1-3/4" - 1" (1-3/4" Infill Framing System)

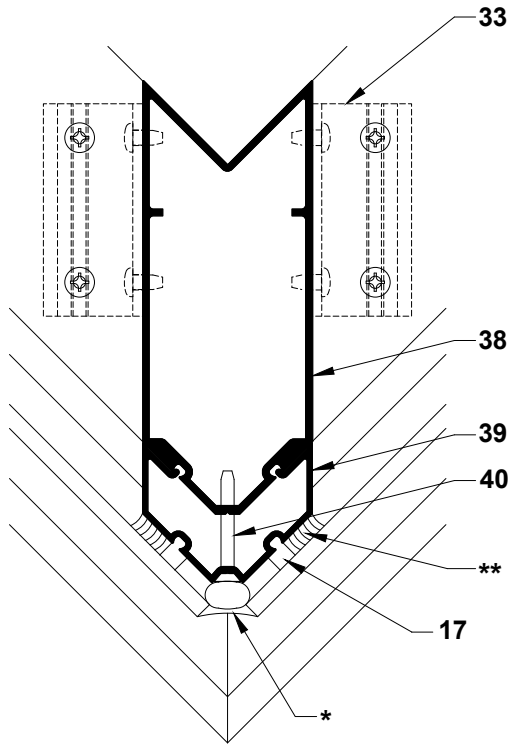


REF#	PART NUMBER: DESCRIPTION
6	128960: 1/4"-14 x 1 3/4" Plain Hex Washer Head Custom Self-Drilling Screw
26	162258: 7-1/2" Mullion - 90° Outside Corner (Shown)
26	162118: 6" Mullion - 90° Outside Corner (Similar) Note: Does not require interior cover 162255.
31	162255: Interior Cover 90° Outside Corner
32	162019: Infill Adapter
33	178343: Corner Shear Block
34	171013: Pressure Plate
35	171014: 1" Exterior Cover 90° Outside Corner
36	171219: Tongue Adapter
37	415429: 1/4" x 7/8" Type AB Hex Head Thread Forming

### 90° Outside SSG Single Mullion Corners

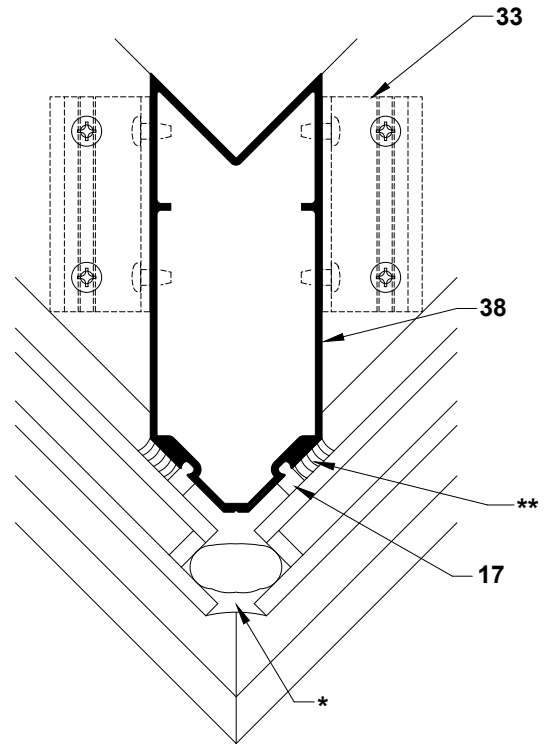
1/4" Infill (1" Infill Framing System - Shown)

1" Infill (1-3/4" Infill Framing System - Similar)



1" Infill (1" Infill Framing System - Shown)

1-3/4" Infill (1-3/4" Infill Framing System - Similar)

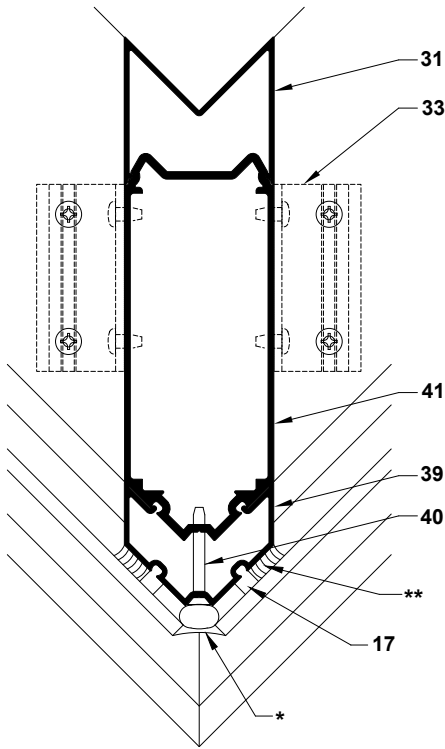


REF #	PART NUMBER: DESCRIPTION
17	027475: SSG Spacer
33	178343: Corner Shear Block
38	162101: 6" SSG Mullion, 90° Outside Corner
39	162102: SSG Infill Adapter, 90° Outside Corner
40	028336: #10 x 1-5/8" Type I CRFCHTS
*	#####: Sealant and Backer Rod (by others)
**	#####: Structural Silicone Sealant (by others)

**NOTICE**  
 Installer is responsible for all required compatibility review and approvals with the Structural Silicone Manufacturer and the Insulating Glass Unit Manufacturer.

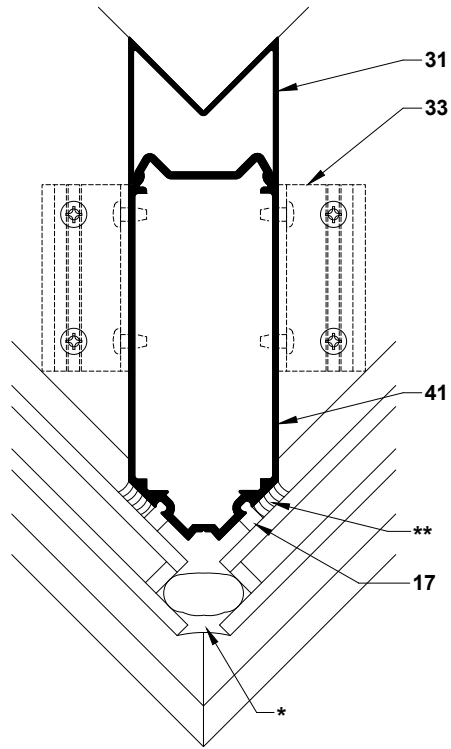
1/4" Infill (1" Infill Framing System - Shown)

1" Infill (1-3/4" Infill Framing System - Similar)



1" Infill (1" Infill Framing System - Shown)

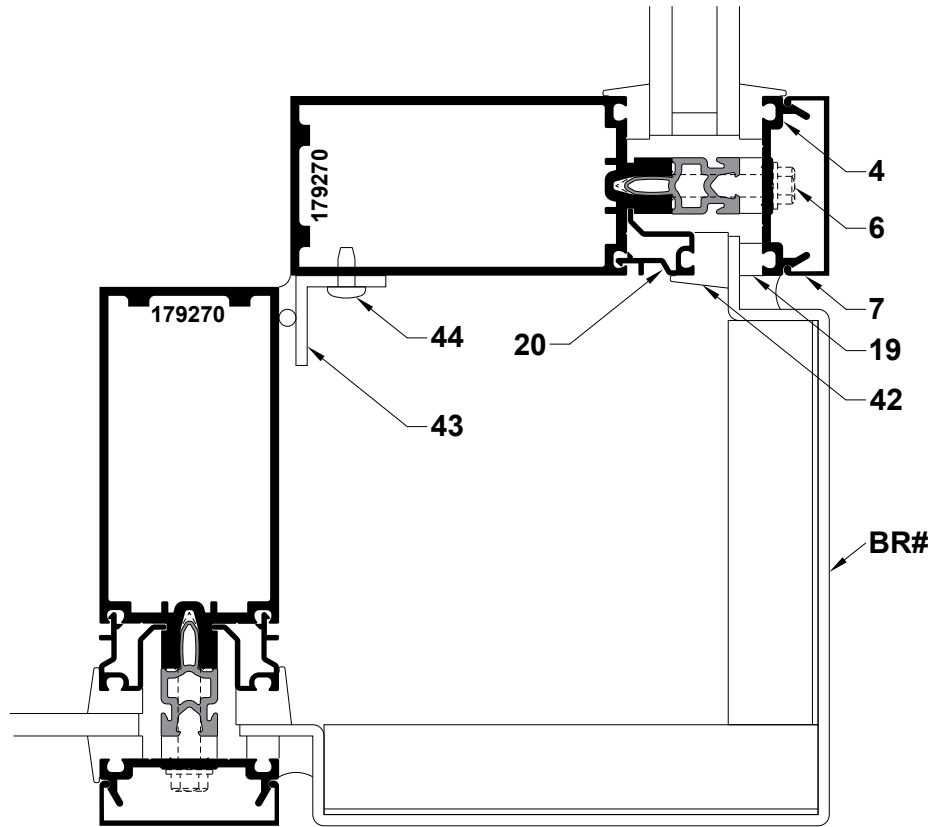
1-3/4" Infill (1-3/4" Infill Framing System - Similar)



REF #	PART NUMBER: DESCRIPTION
17	027475: SSG Spacer
31	162255: Interior Cover 90° Outside Corner
33	178343: Corner Shear Block
39	162102: SSG Infill Adapter, 90° Outside Corner
40	028336: #10 x 1-5/8" Type I CRFCHTS
41	162254: 7-1/2" SSG Mullion, 90° Outside Corner
*	#####: Sealant and Backer Rod (by others)
**	#####: Structural Silicone Sealant (by others)
<p><b>i NOTICE</b>                      Installer is responsible for all required compatibility review and approvals with the Structural Silicone Manufacturer and the Insulating Glass Unit Manufacturer.</p>	

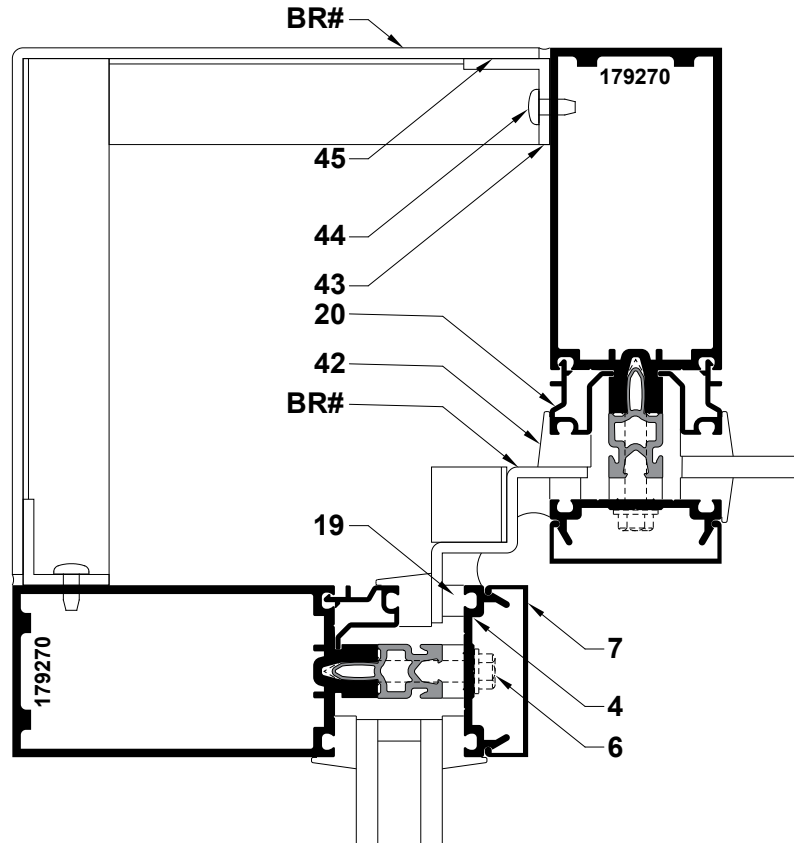
## 90° Double Mullion Corners

90° Outside Corner 1/4" - 1" (1" Infill Framing System)



REF#	PART NUMBER: DESCRIPTION
4	178300: Pressure Plate
6	128960: 1/4"-14 x 1 3/4" Plain Hex Washer Head Custom Self-Drilling Screw
7	178006: Cover, 3/4" Projection
19	027857: Gasket Fixed 1/4"
20	178018: Infill Adapter
42	027852: Gasket Fixed 3/8"
43	027151: 1 x 1 x 1/8" Angle
44	128407: 10 X 7/16" Type I Cross Recessed Pan Head Thread Forming Screw B
BR#	#####: 1/8" Brake Metal

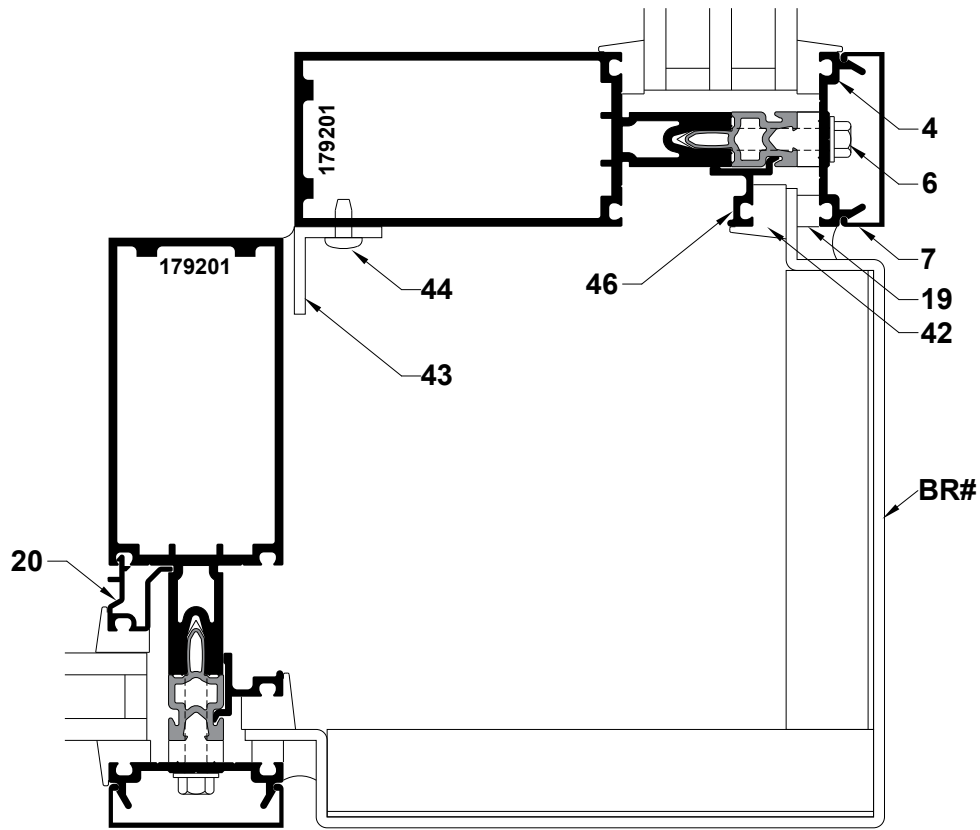
90° Inside Corner 1" - 1/4" (1" Infill Framing System)



REF#	PART NUMBER: DESCRIPTION
4	178300: Pressure Plate
6	128960: 1/4"-14 x 1 3/4" Plain Hex Washer Head Custom Self-Drilling Screw
7	178006: Cover, 3/4" Projection
19	027857: Gasket Fixed 1/4"
20	178018: Infill Adapter
42	027852: Gasket Fixed 3/8"
43	027151: 1 x 1 x 1/8" Angle
44	128407: 10 X 7/16" Type I Cross Recessed Pan Head Thread Forming Screw B
45	130608: Foam Tape
BR#	#####: 1/8" Brake Metal

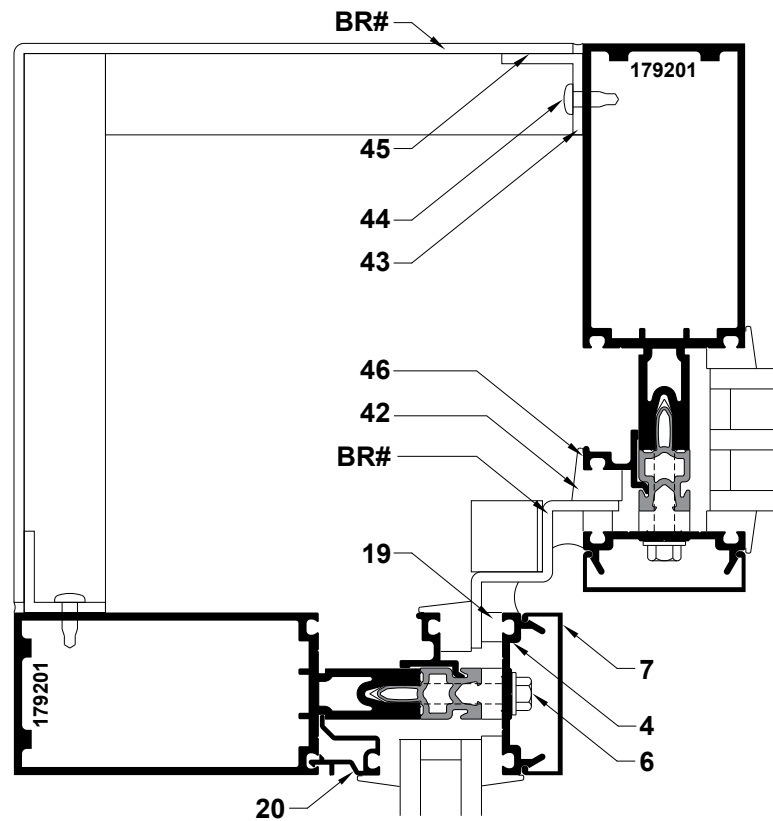


90° Outside Corner 1" - 1-3/4" (1-3/4" Infill Framing System)



REF#	PART NUMBER: DESCRIPTION
4	178300: Pressure Plate
6	128960: 1/4"-14 x 1 3/4" Plain Hex Washer Head Custom Self-Drilling Screw
7	178006: Cover, 3/4" Projection
19	027857: Gasket Fixed 1/4"
20	178018: Infill Adapter
42	027852: Gasket Fixed 3/8"
43	027151: 1 x 1 x 1/8" Angle
44	128407: 10 X 7/16" Type I Cross Recessed Pan Head Thread Forming Screw B
46	179005: 1/4" Panel Adapter
BR#	#####: 1/8" Brake Metal

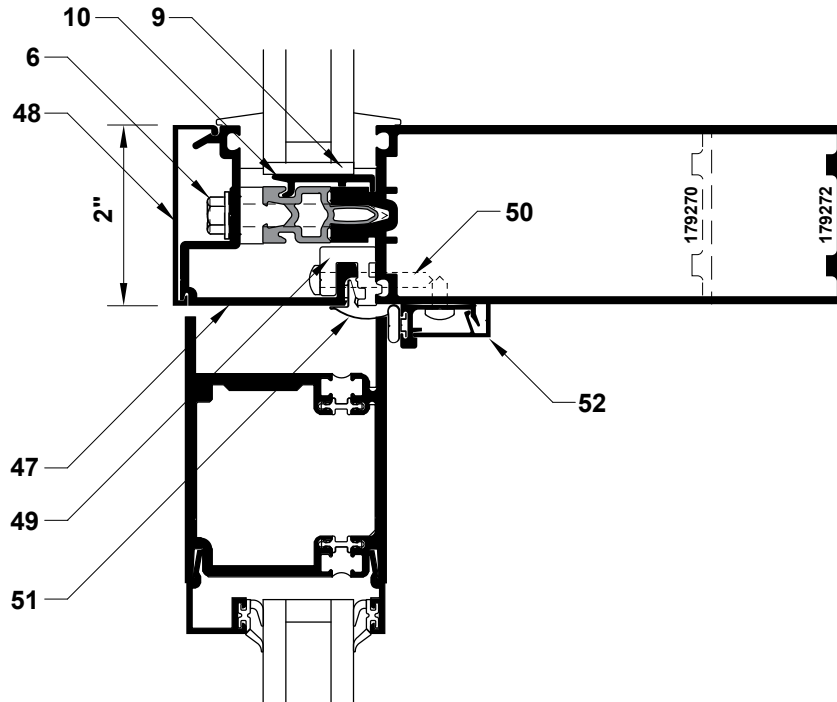
## 90° Inside Corner 1" - 1-3/4" (1-3/4" Infill Framing System)



REF#	PART NUMBER: DESCRIPTION
4	178300: Pressure Plate
6	128960: 1/4"-14 x 1 3/4" Plain Hex Washer Head Custom Self-Drilling Screw
7	178006: Cover, 3/4" Projection
19	027857: Gasket Fixed 1/4"
20	178018: Infill Adapter
42	027852: Gasket Fixed 3/8"
43	027151: 1 x 1 x 1/8" Angle
44	128407: 10 X 7/16" Type I Cross Recessed Pan Head Thread Forming Screw B
45	130608: Foam Tape
46	179005: 1/4" Panel Adapter
BR#	#####: 1/8" Brake Metal

## Captured Entrance Details

### Transom Bar - Single Acting (1" Infill Framing System)



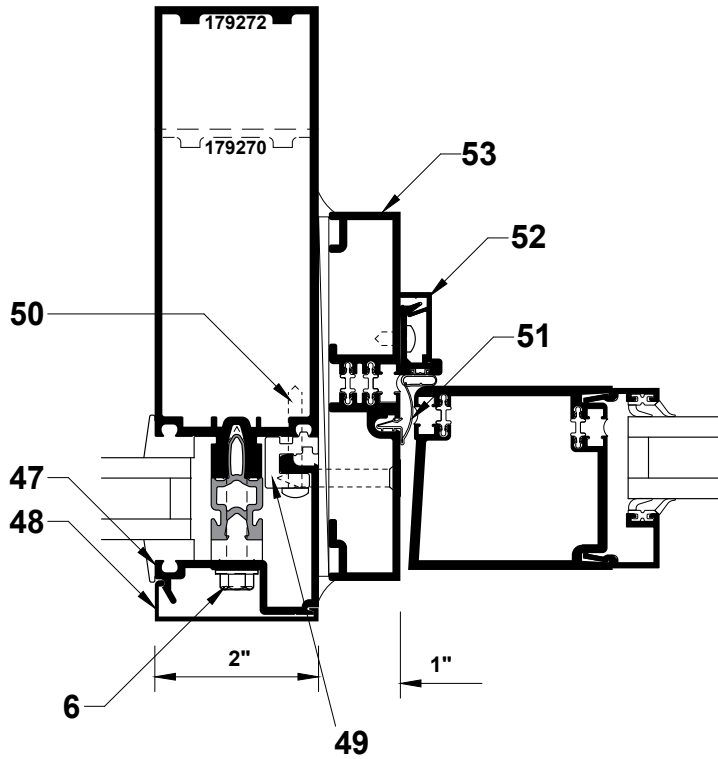
**NOTICE**

- Surface mounted closer only.
- Offset pivots or butt hinges.

REF#	PART NUMBER: DESCRIPTION
6	128960: 1/4"-14 x 1 3/4" Plain Hex Washer Head Custom Self-Drilling Screw
9	127105: Setting Block
10	171306: Setting Block Chair 1"
47	178353: Thermal Door Adapter
48	178032: Door Adapter Cover
49	178496: Thermal Separator
50	128200: 8 X 1-1/4" Type I Cross Recessed Pan Head Thread Forming Screw AB
51	027413: Weathering for Thermal Door
52	069177: 1" Snap-On Door Stop Package (Requires screw 028260, 35 each per stock length)

**NOTE**  
 Assembly includes both extrusions and weathering.

**Door Jamb - Single Acting (1" Infill Framing System)**

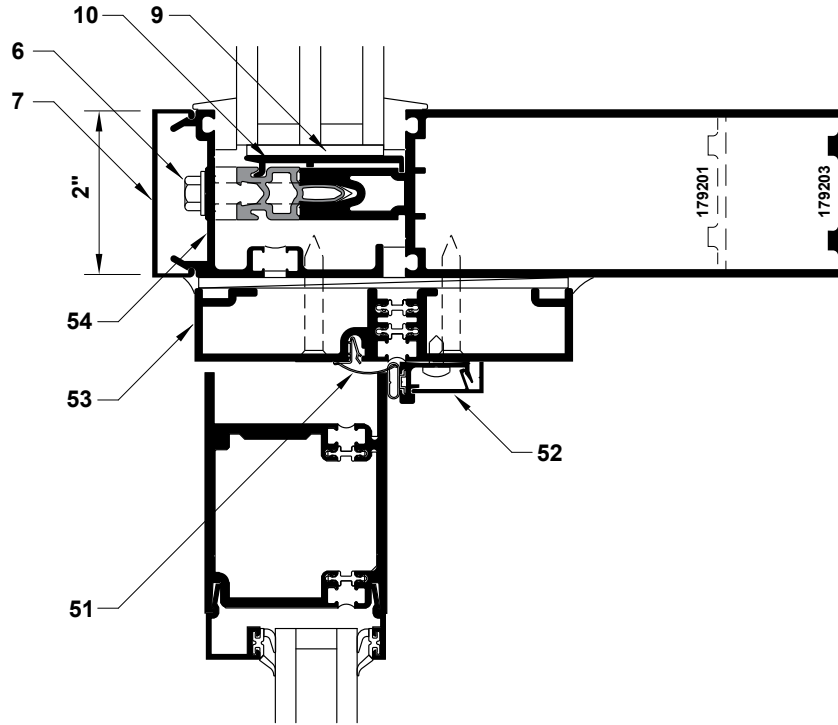


**i NOTICE**

- Mullion & cover extrusion numbers per job requirements.
- Details may vary according to hanging and closer combinations used. Typical details shown.

REF#	PART NUMBER: DESCRIPTION
6	128960: 1/4"-14 x 1 3/4" Plain Hex Washer Head Custom Self-Drilling Screw
47	178353: Thermal Door Adapter
48	178032: Door Adapter Cover
50	128200: 8 X 1-1/4" Type I Cross Recessed Pan Head Thread Forming Screw AB
51	027413: Weathering for Thermal Door
52	069177: 1" Snap-On Door Stop Package (Requires screw 028260, 35 each per stock length)
	<p><b>i NOTE</b>                      Assembly includes both extrusions and weathering.</p>
53	534108: Door Adapter

**Transom Bar - Single Acting (1-3/4" Infill Framing System)**

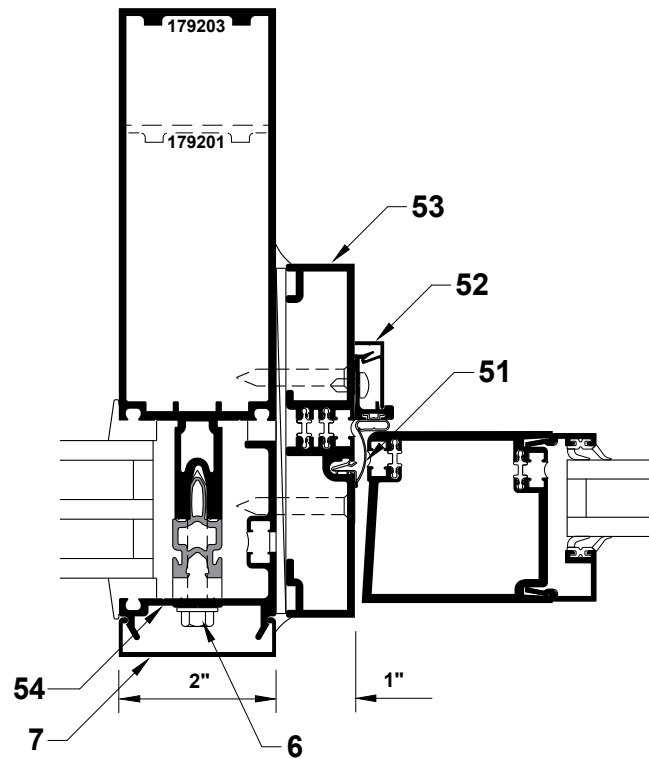


**NOTICE**

- Surface mounted closer only.
- Offset pivots or butt hinges.

REF#	PART NUMBER: DESCRIPTION
6	128960: 1/4"-14 x 1 3/4" Plain Hex Washer Head Custom Self-Drilling Screw
7	178006: Cover, 3/4" Projection
9	127464: Setting Block, 1-3/4" Infill
10	171305: Setting Block Chair
51	027413: Weathering for Thermal Door
52	069177: 1" Snap-On Door Stop Package (Requires screw 028260, 35 each per stock length)
	<p><b>NOTE</b></p> <p>Assembly includes both extrusions and weathering.</p>
53	534108: Door Adapter
54	179300: Pressure Plate

### Door Jamb - Single Acting (1-3/4" Infill Framing System)



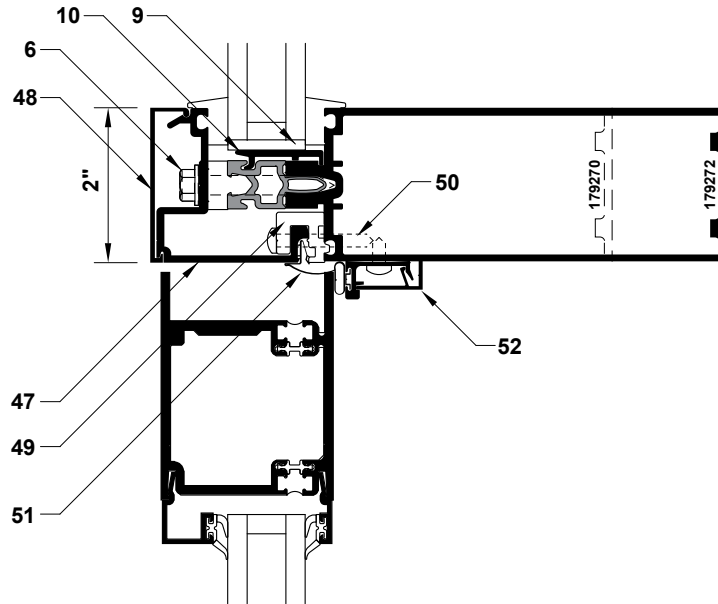
#### NOTICE

- Mullion & cover extrusion numbers per job requirements.
- Details may vary according to hanging and closer combinations used. Typical details shown.

REF#	PART NUMBER: DESCRIPTION
6	128960: 1/4"-14 x 1 3/4" Plain Hex Washer Head Custom Self-Drilling Screw
7	178006: Cover, 3/4" Projection
51	027413: Weathering for Thermal Door
52	069177: 1" Snap-On Door Stop Package (Requires screw 028260, 35 each per stock length)
	<b>NOTE</b> Assembly includes both extrusions and weathering.
53	534108: Door Adapter
54	179300: Pressure Plate

## SSG Entrance Details

### Transom Bar - Single Acting (1" Infill Framing System)



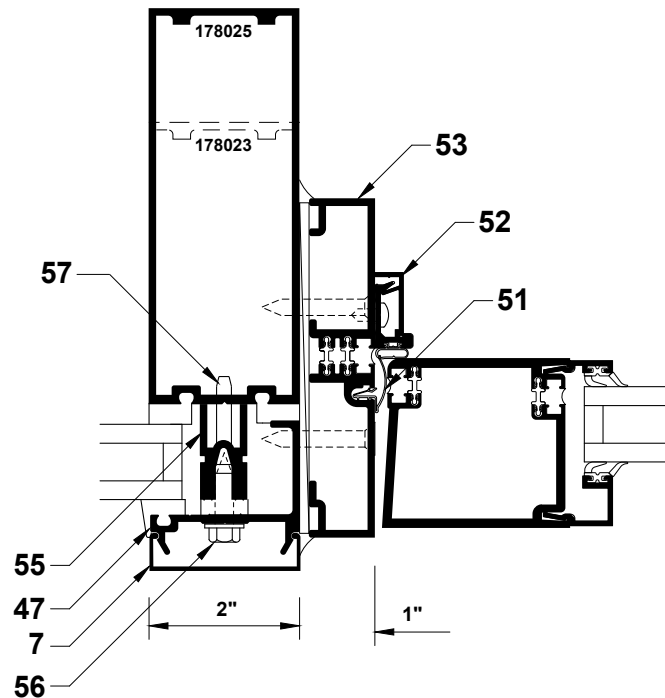
**NOTICE**

- Surface mounted closer only.
- Offset pivots or butt hinges.

REF#	PART NUMBER: DESCRIPTION
6	128960: 1/4"-14 x 1 3/4" Plain Hex Washer Head Custom Self-Drilling Screw
9	127105: Setting Block
10	171306: Setting Block Chair 1"
47	178353: Thermal Door Adapter
48	178032: Door Adapter Cover
49	178496: Thermal Separator
50	128200: 8 X 1-1/4" Type I Cross Recessed Pan Head Thread Forming Screw AB
51	027413: Weathering for Thermal Door
52	069177: 1" Snap-On Door Stop Package (Requires screw 028260, 35 each per stock length)

**NOTE**  
Assembly includes both extrusions and weathering.

### Door Jamb - Single Acting (1" Infill Framing System)



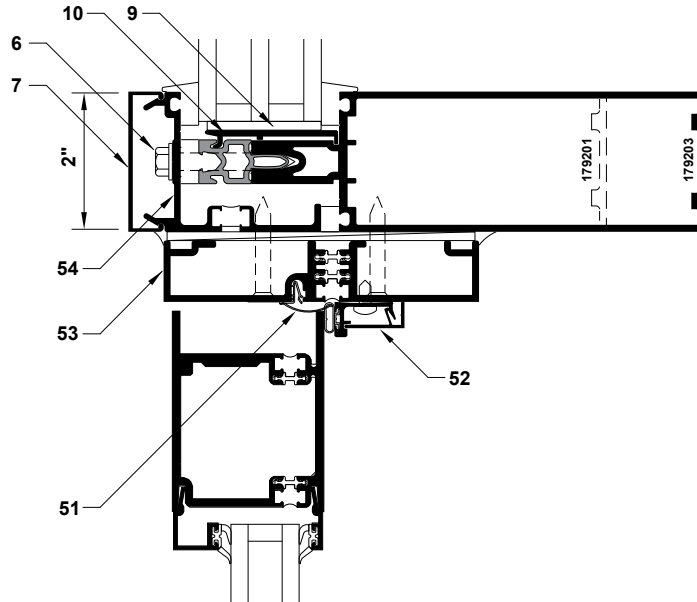
#### NOTICE

- Mullion & cover extrusion numbers per job requirements.
- Details may vary according to hanging and closer combinations used. Typical details shown.

REF#	PART NUMBER: DESCRIPTION
7	178006: Cover, 3/4" Projection
47	178305: Pressure Plate
51	027413: Weathering for Thermal Door
52	069177: 1" Snap-On Door Stop Package (Requires screw 028260, 35 each per stock length)
	<b>NOTE</b> Assembly includes both extrusions and weathering.
53	534108: Door Adapter
55	169022: SSG Tongue Adapter
56	128406: 1/4" x 1" Hex Washer Head Thread Forming Screw AB
57	028761: #10 x 1-1/4" Type I CRFCHTFS B (Attaches 169022 SSG Tongue Adapter to mullion)



**Transom Bar - Single Acting (1-3/4" Infill Framing System)**

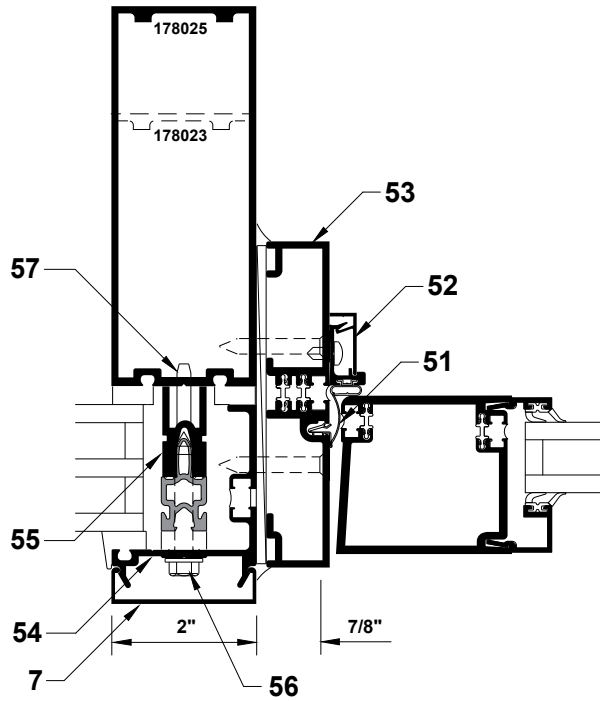


**NOTICE**

- Surface mounted closer only.
- Offset pivots or butt hinges.


REF#	PART NUMBER: DESCRIPTION
6	128960: 1/4"-14 x 1 3/4" Plain Hex Washer Head Custom Self-Drilling Screw
7	178006: Cover, 3/4" Projection
9	127464: Setting Block, 1-3/4" Infill
10	171305: Setting Block Chair
51	027413: Weathering for Thermal Door
52	069177: 1" Snap-On Door Stop Package (Requires screw 028260, 35 each per stock length)
	<p><b>NOTE</b>                      Assembly includes both extrusions and weathering.</p>
53	534108: Door Adapter
54	179300: Pressure Plate

**Door Jamb - Single Acting (1-3/4" Infill Framing System)**



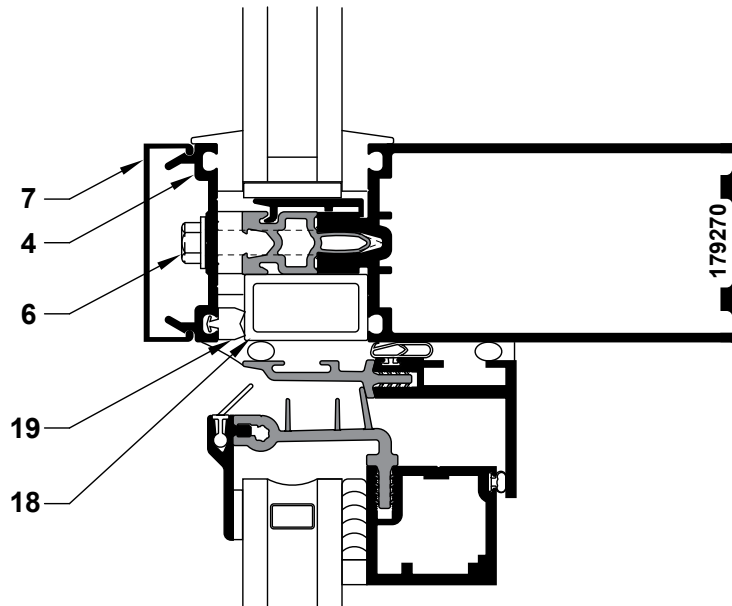
**NOTICE**

- Mullion & cover extrusion numbers per job requirements.
- Details may vary according to hanging and closer combinations used. Typical details shown.

REF#	PART NUMBER: DESCRIPTION
7	178006: Cover, 3/4" Projection
52	069177: 1" Snap-On Door Stop Package (Requires screw 028260, 35 each per stock length)
	 <b>NOTE</b> Assembly includes both extrusions and weathering.
53	534108: Door Adapter
54	179300: Pressure Plate
55	169022: SSG Tongue Adapter
56	128406: 1/4" x 1" Hex Washer Head Thread Forming Screw AB
57	028761: #10 x 1-1/4" Type I CRFCHTFS B (Attaches 169022 SSG Tongue Adapter to mullion)

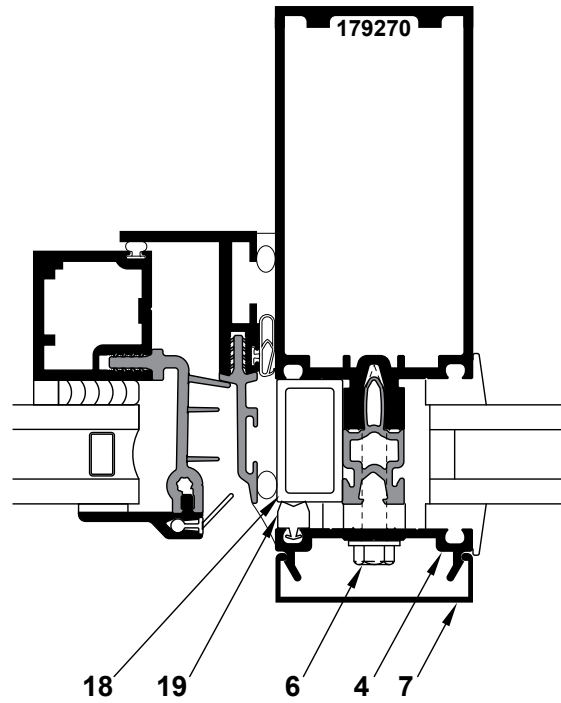
## GLASSvent™ UT Details

### GLASSvent™ UT Head (1" Infill Framing System)



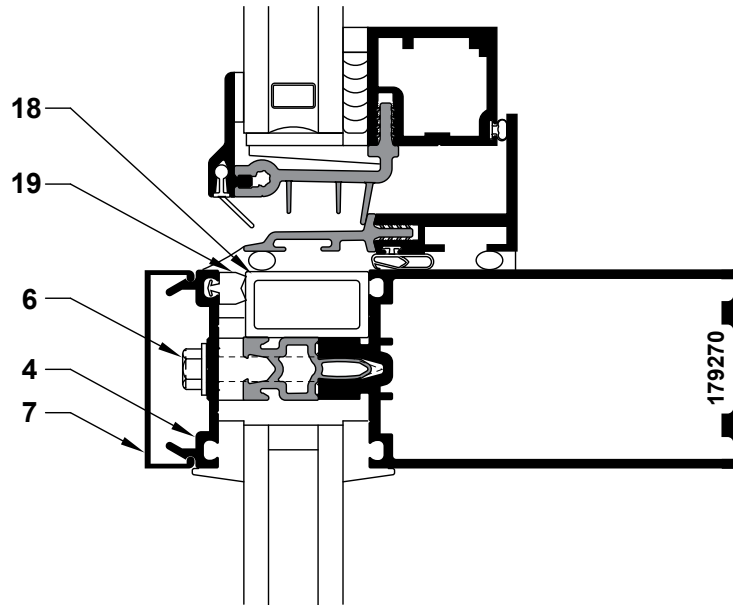
REF#	PART NUMBER: DESCRIPTION
7	178006: Cover, 3/4" Projection
4	178300: Pressure Plate
6	128960: 1/4"-14 x 1 3/4" Plain Hex Washer Head Custom Self-Drilling Screw
19	027857: Gasket Fixed 1/4"
18	179303: Thermal Pocket Filler 1"

## GLASSvent™ UT Jamb (1" Infill Framing System)



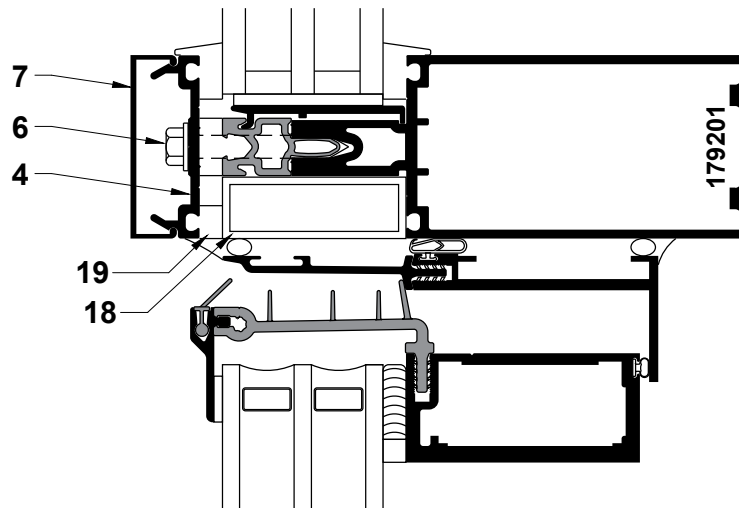
REF#	PART NUMBER: DESCRIPTION
18	179303: Thermal Pocket Filler 1"
19	027857: Gasket Fixed 1/4"
6	128960: 1/4"-14 x 1 3/4" Plain Hex Washer Head Custom Self-Drilling Screw
4	178300: Pressure Plate
7	178006: Cover, 3/4" Projection

**GLASSvent™ UT Sill (1" Infill Framing System)**



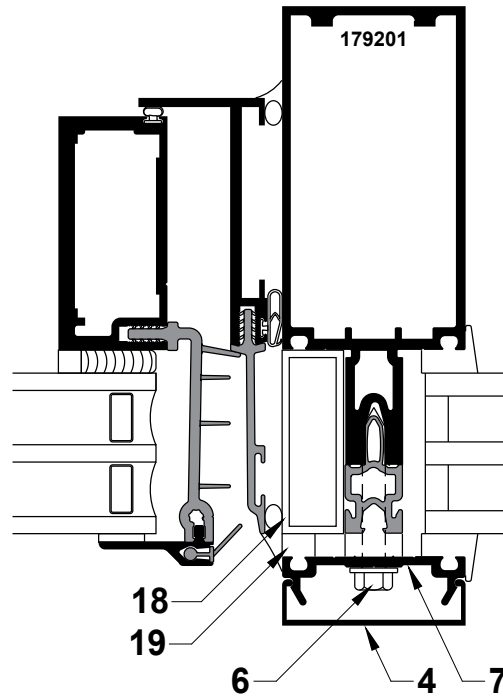
REF#	PART NUMBER: DESCRIPTION
18	179303: Thermal Pocket Filler 1"
19	027857: Gasket Fixed 1/4"
6	128960: 1/4"-14 x 1 3/4" Plain Hex Washer Head Custom Self-Drilling Screw
4	178300: Pressure Plate
7	178006: Cover, 3/4" Projection

## GLASSvent™ UT Head (1-3/4" Infill Framing System)



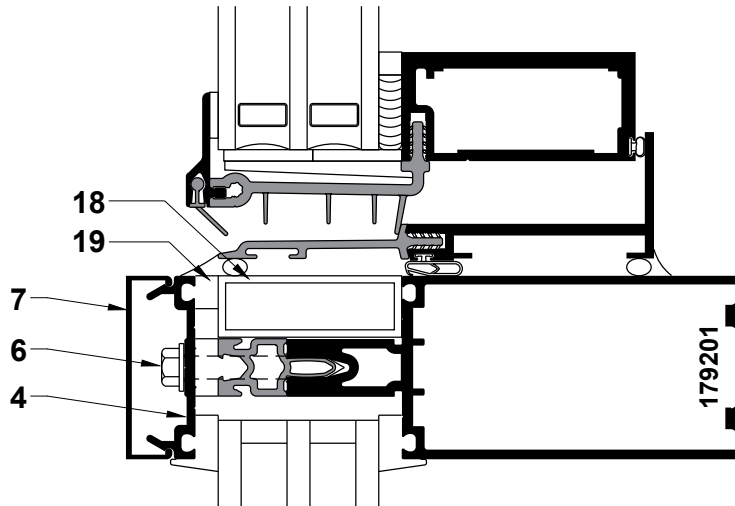
REF#	PART NUMBER: DESCRIPTION
7	178006: Cover, 3/4" Projection
6	128960: 1/4"-14 x 1 3/4" Plain Hex Washer Head Custom Self-Drilling Screw
4	178300: Pressure Plate
19	027857: Gasket Fixed 1/4"
18	179305: Thermal Pocket Filler 1-3/4"

**GLASSvent™ UT Jamb (1-3/4" Infill Framing System)**



REF#	PART NUMBER: DESCRIPTION
18	179305: Thermal Pocket Filler 1-3/4"
19	027857: Gasket Fixed 1/4"
6	128960: 1/4"-14 x 1 3/4" Plain Hex Washer Head Custom Self-Drilling Screw
4	178300: Pressure Plate
7	178006: Cover, 3/4" Projection

## GLASSvent™ UT Sill (1-3/4" Infill Framing System)



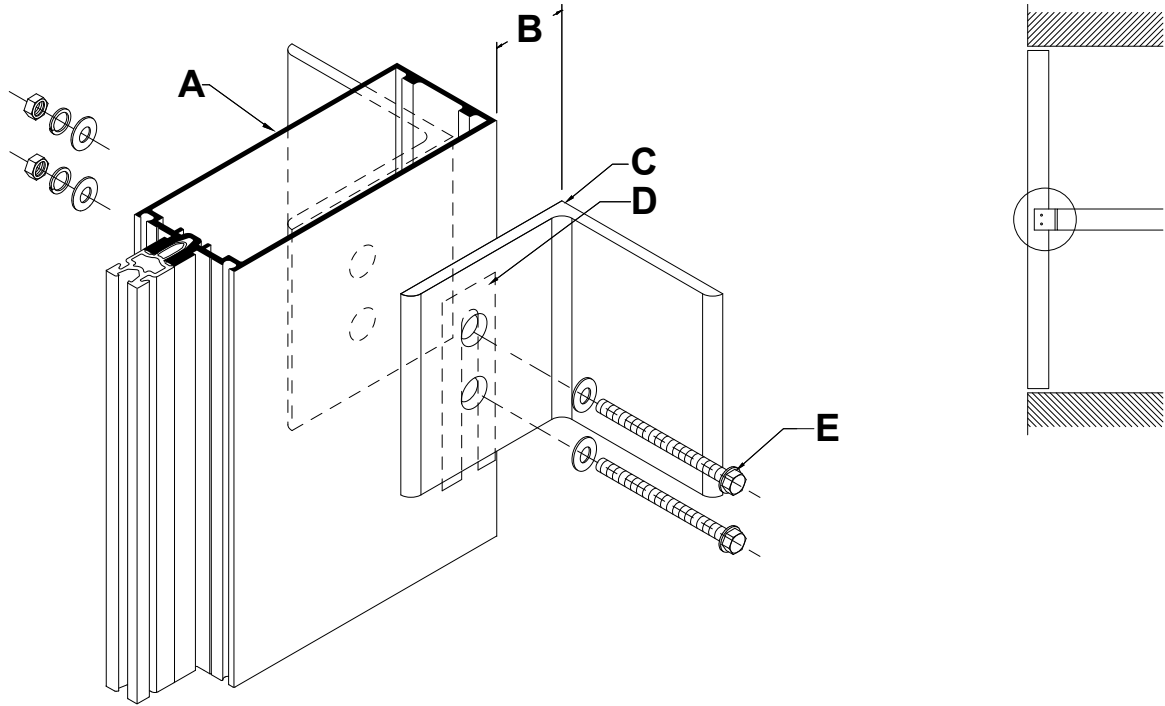
REF#	PART NUMBER: DESCRIPTION
7	178006: Cover, 3/4" Projection
6	128960: 1/4"-14 x 1 3/4" Plain Hex Washer Head Custom Self-Drilling Screw
4	178300: Pressure Plate
19	027857: Gasket Fixed 1/4"
18	179305: Thermal Pocket Filler 1-3/4"



## Dead Load Details

1" Infill Framing System Shown

1-3/4" Infill Framing System Similar

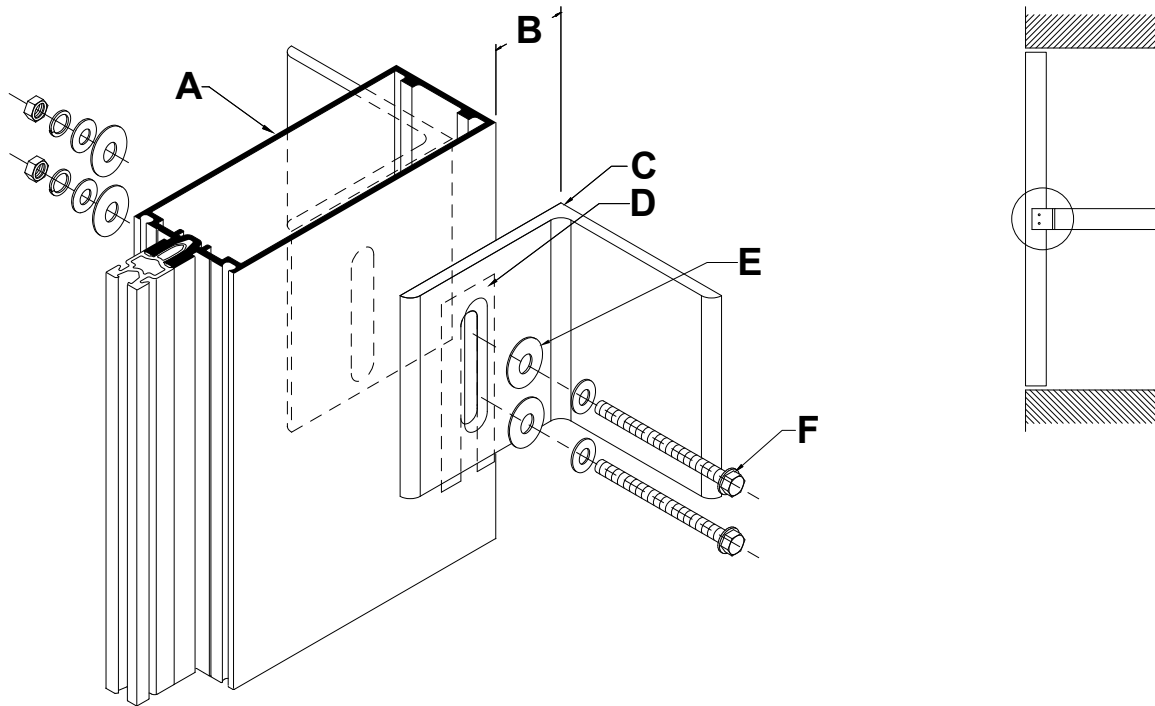


REF#	PART NUMBER: DESCRIPTION
A	Mullion
B	[Dimension Varies]
C	#####: Steel Anchors (by others)
D	027477: Aluminum to Steel Separator
E	#####: Thru Bolts (by others)

## Wind Load Details

1" Infill Framing System Shown

1-3/4" Infill Framing System Similar



REF#	PART NUMBER: DESCRIPTION
A	Mullion
B	[Dimension Varies]
C	#####: Steel Anchors (by others)
D	027477: Aluminum to Steel Separator
E	216301: 1/2" Slip Washer
F	#####: Thru Bolts (by others)

## Notes And Disclaimers

Laws and building and safety codes governing the design and use of Kawneer products, such as glazed entrance, window, and curtain wall products, vary widely. Kawneer does not control the selection of product configurations, operating hardware, or glazing materials, and assumes no responsibility therefor. It is the responsibility of the owner, the specifier, the architect, the general contractor, and the installer and the fabricator/transformer, consistent with their roles, to determine the appropriate materials for a project in strict conformity to all applicable national, regional and local building codes and regulations.

Kawneer reserves the right to change configuration without prior notice when deemed necessary for product improvement.

Information contained herein or related hereto is intended only for evaluation by technically skilled persons, with any use thereof to be at their independent discretion and risk. Such information is believed to be reliable, but Kawneer shall have no responsibility or liability for results obtained or damages resulting from such use.

Kawneer grants no license under, and shall have no responsibility or liability for infringement of, any patent or other proprietary right. Nothing in this document should be construed as a warranty or guarantee by Kawneer, and the only applicable warranties will be those set forth in Kawneer acknowledgment or in any printed warranty documents issued by Kawneer. The foregoing may be waived or modified only in writing by a Kawneer officer.

© 2019, Kawneer Company, Inc.

---

This page is intentionally left blank.